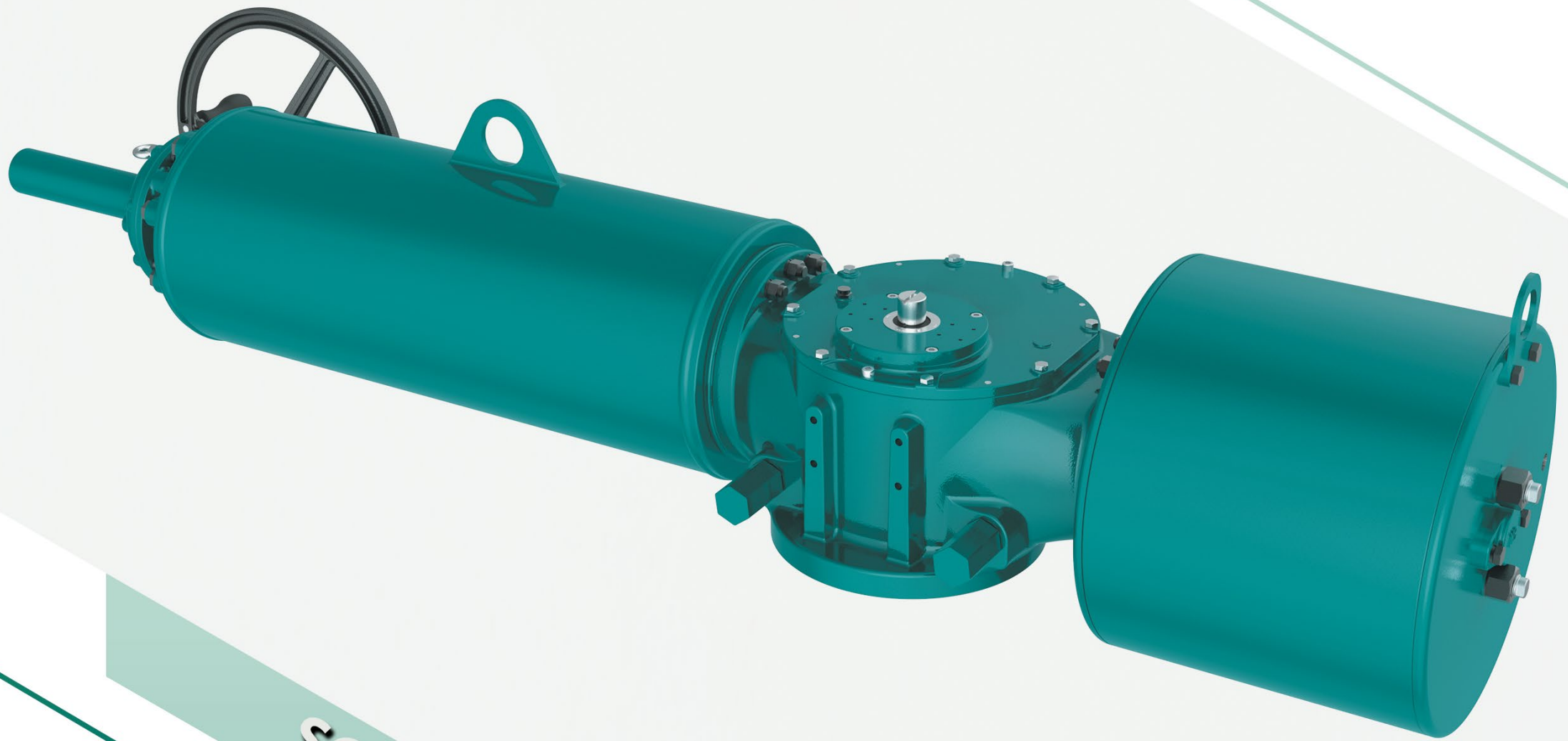




CONVALVE
SPECIALIST IN VALVE AUTOMATION



SCOTCH YOKE PNEUMATIC ACTUATORS



ISO 9001
Quality 

ISO 14001
Environment 

OHSAS 18001
Health & Safety 



PNEUMATIC ACTUATOR PAC-SH SERIES SCOTCH YOKE PNEUMATIC ACTUATORS

Scan me

DESCRIPTION

PAC-SH Series Heavy-duty Scotch Yoke Actuators are designed and manufactured in a variety of sizes, cylinder diameters, and configurations to meet different operational needs. They are available in both double-acting (DA) and spring-return (SR) models, making them suitable for installation on quarter-turn valves such as ball, butterfly, and plug valves.

These actuators are engineered to perform efficiently across a wide range of pressures and temperatures. The symmetric yoke design ensures a more consistent torque delivery throughout the stroke, particularly at critical points such as the breakaway and end positions.

FEATURES

- **Weatherproof Design:** The PAC-SH Series Scotch Yoke Actuators are suitable for both indoor and outdoor installations. They can be customized for high or low-temperature applications by adapting the seals and lubricants to suit specific service conditions.
- **Self-Lubricating and Wear Resistance:** Both the guide rod and piston rod are hard chrome-plated to ensure superior wear resistance. The PAC-SH Series Actuators are permanently lubricated with materials and lubricants appropriate for the service environment, eliminating the need for maintenance under normal operating conditions.
- **Corrosion Resistance:** A three-layer epoxy coating is applied to every PAC-SH Series Heavy-duty Actuator to provide maximum protection against environmental corrosion.

APPLICATION

- Chemical and Petrochemical
- Food and Beverage
- HVAC
- Marine
- Mining
- Oil and Gas
- Pulp and Paper
- Semiconductor
- Water and Wastewater
- Original Equipment Manufacturing

CONSTRUCTION

- The **PAC-SH Series Heavy-duty Scotch Yoke Actuators** is designed with the latest engineering solutions, providing a safe and reliable driving mechanism for on-off or regulating applications. It is suitable for ball valves, butterfly valves, plug valves, and other 0°-90° rotating mechanical devices.
- The actuator's connection dimensions and torque range are compliant with **ISO 5211 standards**. It delivers a torque output of up to **250,000 Nm (184,000 foot-pounds)**. The shift fork design significantly reduces lateral loads, which greatly enhances performance and durability.
- The **modular structure** of the actuator ensures excellent part interchangeability, simplifying use, maintenance, and reducing overall costs. Materials can be configured to suit the actuator's operating temperature range, enabling reliable operation under diverse working conditions.
- The **cylinder module** features a built-in guide rod that addresses local wear of the piston seal caused by the piston's weight and the lateral forces from the shift fork. This ensures long-lasting, stable torque output.
- **Manual operating mechanisms** are available as options, including:
 - Handwheel
 - Gear transmission
 - Hydraulic operation
- The design offers **symmetrical or tilted shift forks**, allowing customers to choose the configuration that best fits their needs. The **optimized transmission module and torque ratio** provide enhanced adaptability to varying valve torque requirements.
- The shift fork transmission mechanism uses **oil-free lubricated bearings** made of aluminum bronze composite graphite, delivering stable, long-lasting performance. Some connecting shaft holes utilize square shafts, improving precision and making the actuator especially suitable for regulating (control valve) applications.
- For single-action operation, **fail-open or fail-close** functionality can be achieved efficiently by simply changing the direction of the cylinder and spring module.

DESIGN PARAMETERS

TORQUE RANGE

- **Double-action:** 250,000 Nm (184,000 ft-lbs)
- **Single-action pneumatic:** 250,000 Nm (184,000 ft-lbs)
- **Spring:** 110,000 Nm (81,000 ft-lbs)
For higher torque applications, please consult **CONVALVE** (customized torque range up to 800,000 Nm).

AIR SUPPLY PRESSURE

- **3.5-7 BAR (51-101 psi)**
Please consult **CONVALVE** for special air supply pressure requirements.
- Suitable for air, nitrogen, or other pure gases.
For pipeline medium gas supply applications, please consult **CONVALVE**.

TEMPERATURE RANGE

- **Normal temperature:** -29°C to 80°C (-20°F to 176°F)
- **Low temperature:** -40°C to 80°C (-40°F to 176°F)
- **Ultra-low temperature:** -60°C to 80°C (-76°F to 176°F)
- **High temperature:** -29°C to 160°C (-20°F to 320°F)

ADJUSTABLE STROKE

- **0-90° ± 6°**
- **Total stroke range:** 80-100°

DESIGN STANDARDS

The **PAC-SH Series Heavy-duty Scotch Yoke Actuators** is designed and manufactured in compliance with the following international standards:

- **EN 60529:** IP66, IP66M, IP67, IP67M
- **NEMA 250:** NEMA 4, NEMA 4X
- **EN 13906-1, EN 15714-3**
- **IEC 60079-0, IEC 60721-2-1, IEC 6150**
- **ISO 9001, ISO 5211, ISO 5599, ISO 12490, ISO 12944-2**

OPTIONS

- Direct mount solenoid valves
- Monitor/Position confirmation limit switches
- Electro-Pneumatic positioner 4-20m input
- Pneumatic positioners 3-15 PSI input

The PAC-SH series Scotch yoke actuator is engineered with a cutting-edge modular design, enabling seamless integration of various modules to meet complex operational demands across diverse industrial applications. Below is a technical breakdown of its advanced configurations and key components.

CORE MODULES AND TECHNICAL FEATURES:
1. Cylinder Module:

- Designed to support series connections and hydraulic adaptations.
- Fully compatible with both pneumatic and hydraulic power systems.
- Delivers consistent, stable output under high-torque and high-frequency operational conditions, ensuring reliability.

2. Cabinet Module:

- Acts as the primary structural backbone, enabling efficient integration of additional modules.
- Ensures robust stability and precise alignment of actuator components.

3. Balance Rod Module:

- Specifically engineered to counteract lateral forces generated during Scotch yoke operations.
- Enhances actuator longevity and ensures smoother, uninterrupted output delivery.

4. Manual Operation Modules:
• Screw Rod Manual Module:

- Features an ergonomic lateral manual mechanism for efficient and labor-saving operation.
- Equipped with a precision latch mechanism to minimize the risk of operational errors.

• Gear Manual Module:

- Incorporates an advanced bevel gear reduction system for effortless handling.
- Tailored for applications requiring high torque and precision.

• Hydraulic Manual Module:

- Serves as a reliable power mechanism in scenarios of emergency or no-air supply states.
- Provides unidirectional or bidirectional power input through an integrated manual pump system.

5. Spring Module:

- Facilitates fail-safe configurations with fail-open or fail-close functionality.
- Operates through a robust integrated spring system, ensuring rapid and reliable reset.

6. Hydraulic Cylinder Module:

- Ideal for high-torque applications demanding superior efficiency.
- Easily interchangeable with pneumatic cylinders, expanding versatility across hydraulic and pneumatic systems.

ADVANCED ACTUATOR CONFIGURATIONS:
1. Double-Action Configurations:
• Standard Double Cylinder:

- Utilizes dual-piston technology to deliver precise and stable performance.
- Perfectly suited for high-frequency, high-torque industrial environments.

• Double-Action with Manual Screw Rod:

- Integrates manual override capabilities for versatile, user-friendly operations.

• Double-Action with Bevel Gear Manual:

- Features a bevel gear reduction mechanism to minimize operational effort.

• Double-Action Hydraulic Actuator:

- Incorporates a hydraulic manual pump for emergency and no-air scenarios, ensuring uninterrupted functionality.

2. Single-Action Configurations:
• Single-Action with Spring Reset:

- Offers configurable fail-open or fail-close modes by adjusting cylinder and spring module positioning.

• Single-Action with Screw Rod Manual:

- Optimized for smaller-scale specifications (1K, 2K, 4K) with efficient manual handling.

• Single-Action with Bevel Gear Manual:

- Integrates gear reduction technology for seamless high-torque manual operations.

• Single-Action Hydraulic Actuator:

- Equipped with a manual pump for unidirectional power input and efficient manual control.

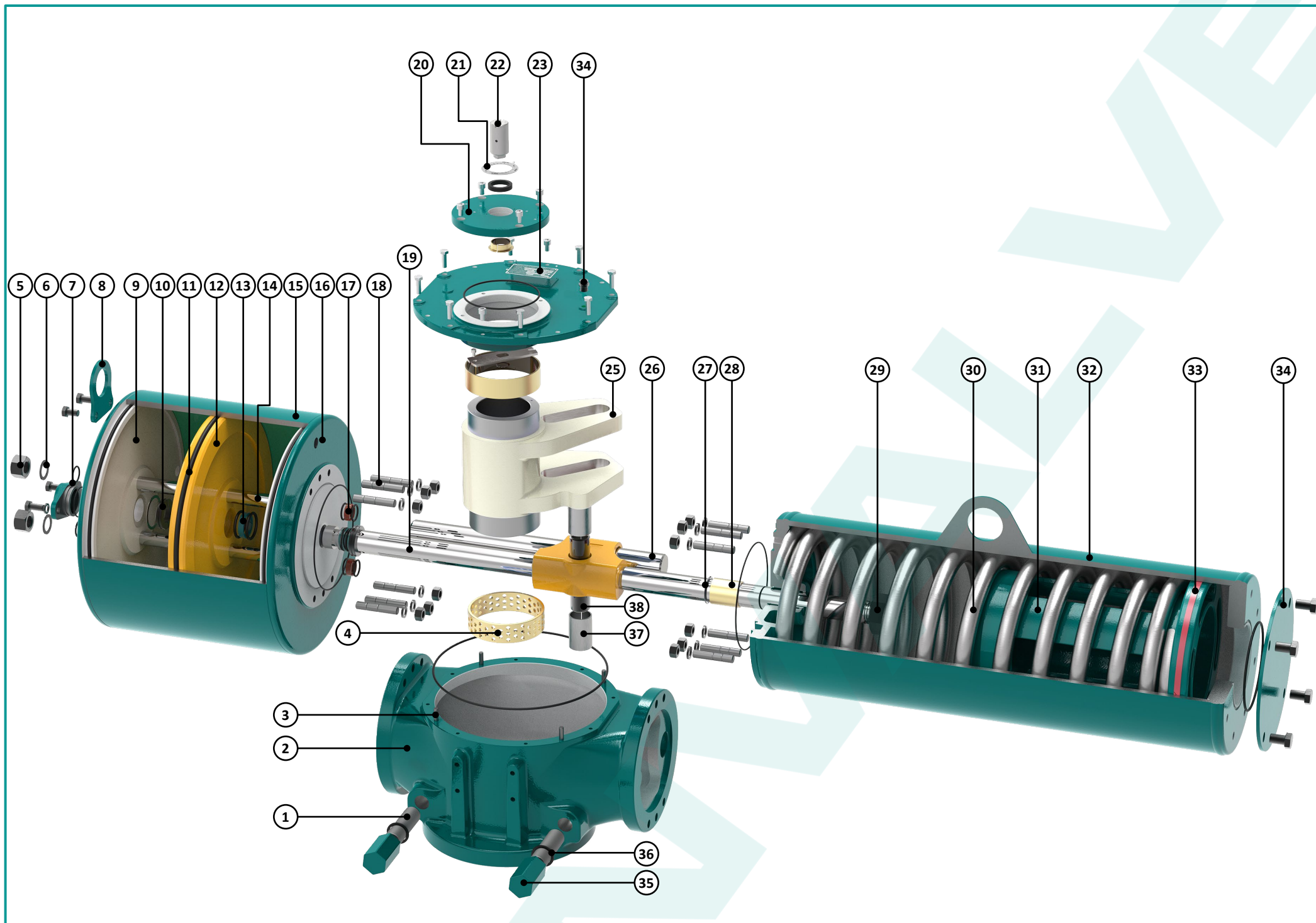
ENHANCED FEATURES FOR CRITICAL OPERATIONS:
1. Manual Pump Module:

- Offers a high-precision 3-position quick-switch lever (valve open, pneumatic mode, valve closed).
- Delivers superior operational flexibility and ensures reliability in critical manual operation scenarios.

2. Embedded Manual Module:

- Supports on-line reconfiguration without disassembling the actuator.
- Universally compatible with a wide range of manual module types.

PART LIST AND MATERIAL SPECIFICATION



NO.	PART NAME	MATERIAL	NO.	PART NAME	MATERIAL
1	Adjusting Bolt	Alloy Steel	20	Upper Cap	Carbon Steel
2	Cabinet	Ductile Iron	21	Instruction Nameplate	Stainless Steel
3	Positioning Pin	Carbon Steel	22	Position Indicator Lever	Stainless Steel
4	Shift Fork Lower Bearing	Cu+ Graphite	23	Nameplate	Stainless Steel
5	Nut	Alloy Steel	24	Breathing Valve	Aluminum Alloy
6	Anti-rotation Washer	Spring Steel	25	Shift Fork	Ductile Iron
7	Operation Port Stifle	Ductile Iron	26	Guide Rod	Alloy Steel
8	Lifting Ring	Carbon Steel	27	Retaining Ring	Spring Steel
9	End Cap	Carbon Steel	28	Sliding Sleeve	Sf-2
10	Snap Ring	Alloy Steel	29	Spring Nut	Alloy Steel
11	O-ring	Nbr	30	Spring	Spring Steel
12	Piston	Carbon Steel	31	Spring Positioning Sleeve	Cast Carbon Steel
13	Guide Belt	Pom	32	Spring Cylinder	Carbon Steel
14	Pull Rod	Alloy Steel	33	Spring Guide Belt	Copper-based Wear-resistant Tape
15	Cylinder Block	Carbon Steel	34	Spring Stifle	Carbon Steel
16	Front End Cap	Carbon Steel	35	Adjusting Nut Cover	Carbon Steel
17	Guide Belt	Pom	36	Combination Washer	Copper+ NBR
18	Bolt	Alloy Steel	37	Rolling Sleeve	Alloy Steel
19	Piston Rod	Alloy Steel	38	Transmission Pin	Alloy Steel

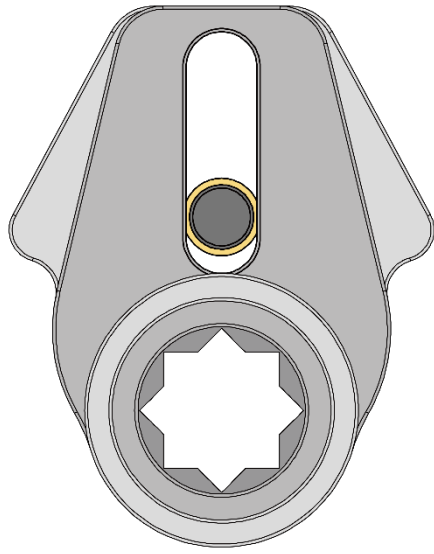
OUTPUT TORQUE CHARACTERISTICS

The **PAC-SH series actuator** offers the flexibility to select between a **symmetrical** or **asymmetrical shift fork structure** based on application requirements. The **symmetrical shift fork type** is designed to deliver **maximum torque at both ends of the actuator stroke**, ensuring consistent performance across the full range of motion.

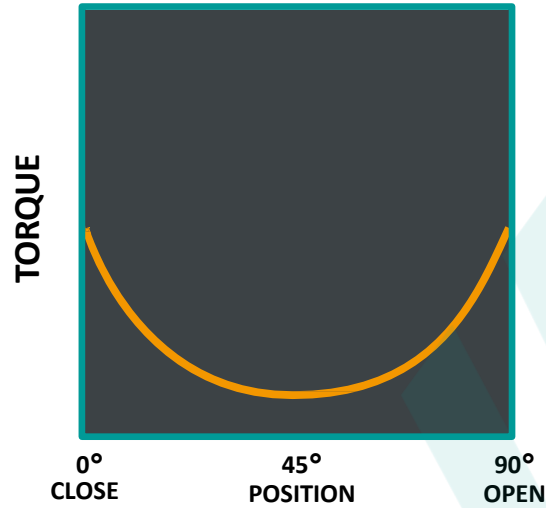
In contrast, the **asymmetrical shift fork** configuration provides **maximum torque exclusively at the end of the stroke**. This design is particularly advantageous in applications where torque demand peaks at specific points, enabling engineers to **optimize actuator size, weight, and cost** without compromising operational efficiency.

The ability to choose between these two distinct torque transmission characteristics ensures that the **PAC-SH series actuator** can meet diverse operational and performance requirements across various industrial applications.

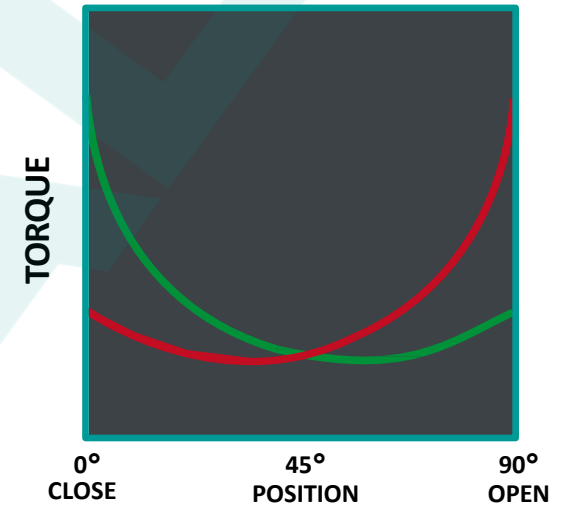
SYMMETRICAL SHIFT FORK



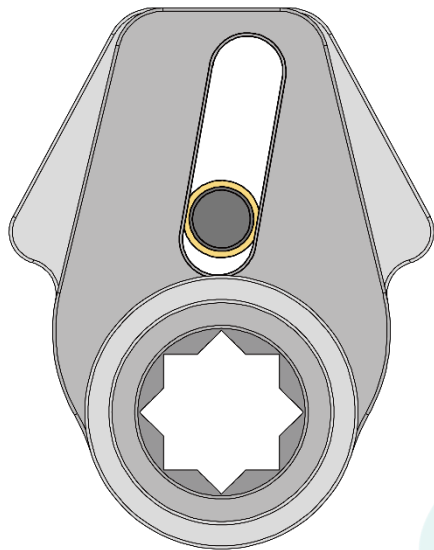
SYMMETRICAL DOUBLE-ACTION TORQUE CURVE



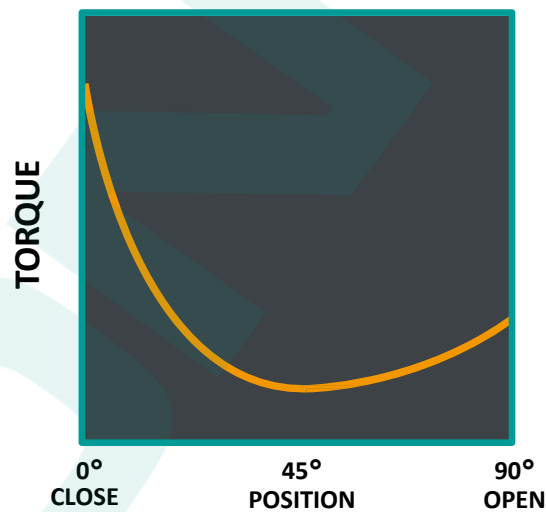
SYMMETRICAL SINGLE-ACTION TORQUE CURVE



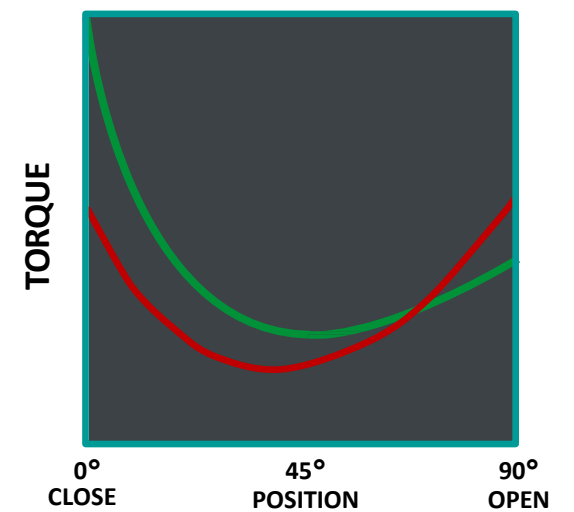
ASYMMETRICAL SHIFT FORK



ASYMMETRIC DOUBLE-ACTION TORQUE CURVE



ASYMMETRIC SINGLE-ACTION TORQUE CURVE



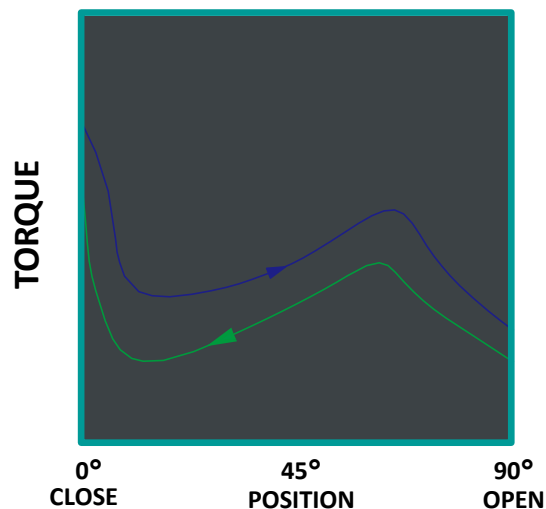
The **asymmetric shift fork** can theoretically increase the torque transmitted at one end of a stroke by **20%**; please consult **CONVALVE** for assistance with specific model selection.

VALVE TORQUE CURVE

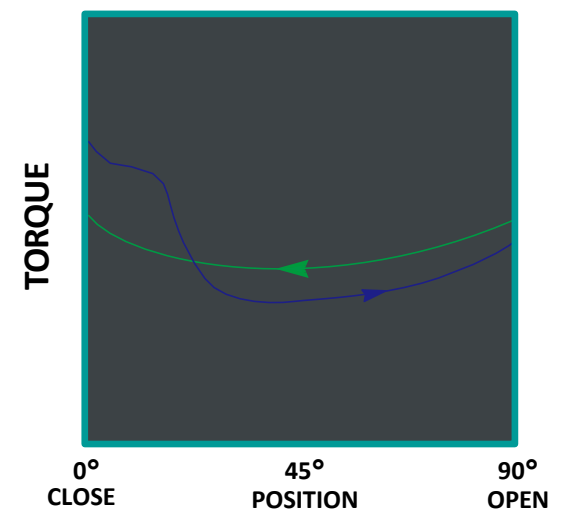
The torque curve of the fork-type cylinder exhibits a trend similar to that of **90° rotary valves**, such as **ball valves** and **butterfly valves**. However, the actual torque values are influenced by factors including **medium flow rate, pressure differential, and valve core eccentricity**.

While there is **no strictly proportional relationship** between the torque values at different opening positions, the **overall trend of the torque curve remains consistent**. Therefore, when performing **model selection**, it is essential to **consider these factors comprehensively** in relation to the **specific working conditions**.

BUTTERFLY VALVE TORQUE CURVE



BALL VALVE TORQUE CURVE



DOUBLE ACTION OUTPUT TORQUE

ACTUATOR MODEL	STROKE DIRECTION START/MIN./END	OPERATING PRESSURE (BARG)						
		3.0	3.5	4.0	5.0	5.5	6.0	7.0
		PRESSURETORQUE OUTPUT:START/MIN./END (NM)						
PAC-SH1K160DA	Start	474	558	643	811	895	980	1148
	Min	258	301	346	434	478	523	611
	End	474	558	642	810	894	979	1147
PAC-SH1K180DA	Start	600	707	813	1026	1133	1240	1453
	Min	326	381	437	550	606	662	774
	End	600	706	813	1025	1132	1239	1451
PAC-SH1K200DA	Start	741	873	1004	1267	1399		
	Min	403	471	540	678	748		
	End	741	872	1003	1266	1397		
PAC-SH1K220DA	Start	910	1070	1230				
	Min	491	575	659				
	End	909	1069	1229				
PAC-SH2K200DA	Start	923	1087	1250	1578	1741	1905	2233
	Min	501	586	673	844	931	1017	1189
	End	922	1086	1250	1576	1739	1903	2230
PAC-SH2K220DA	Start	1129	1327	1527	1923	2123	2321	2719
	Min	610	714	818	1027	1131	1235	1444
	End	1128	1326	1525	1922	2120	2318	2716
PAC-SH2K250DA	Start	1577	1851	2126	2676	2951		
	Min	846	991	1136	1424	1568		
	End	1575	1849	2124	2674	2949		
PAC-SH 2K300DA	Start	2275	2668	3062				
	Min	1216	1422	1628				
	End	2272	2665	3059				
PAC-SH4K250DA	Start	2103	2469	2836	3570	3936	4304	5038
	Min	1130	1321	1514	1899	2092	2285	2669
	End	2101	2467	2834	3567	3933	4301	5034
PAC-SH4K300DA	Start	3034	3560	4085	5134	5659		
	Min	1622	1897	2173	2723	2998		
	End	3032	3556	4081	5130	5655		
PAC-SH4K350DA	Start	3698	4336	4974				
	Min	1974	2307	2642				
	End	3695	4332	4970				
PAC-SH8K350DA	Start	4616	5413	6209	7802	8600	9397	10991
	Min	2464	2881	3299	4134	4552	4970	5805
	End	4614	5410	6207	7799	8596	9392	10985
PAC-SH8K400DA	Start	6123	7175	8226	10329	11381		
	Min	3258	3810	4360	5463	6014		
	End	6121	7171	8223	10325	11377		
PAC-SH8K300XDA	Start	6843	8018	9193	11543			
	Min	3641	4258	4873	6105			
	End	6839	8014	9190	11538			
PAC-SH8K450DA	Start	7831	9172	10482				
	Min	4159	4861	5555				
	End	7828	9167	10477				
PAC-SH16K400DA	Start	7641	8954	10267	12893	14206	15519	18145
	Min	4067	4755	5444	6819	7508	8196	9572
	End	7637	8948	10259	12884	14196	15508	18133
PAC-SH16K450DA	Start	9777	11451	13125	16474	18148	19822	23125
	Min	5193	6071	6948	8702	9580	10457	12199
	End	9771	11443	13116	16462	18135	19807	23109
PAC-SH16K350XDA	Start	11887	13915	15943	20000	22029	24058	
	Min	6301	7364	8427	10552	11615	12677	
	End	11878	13905	15932	19986	22014	24041	
PAC-SH16K500DA	Start	12202	14283	16366	20530	22612		
	Min	6468	7559	8649	10831	11922		
	End	12193	14273	16354	20515	22596		
PAC-SH16K550DA	Start	14875	17406	19938	24922			
	Min	7873	9199	10524	13156			
	End	14865	17394	19924	24905			
PAC-SH16K600DA	Start	17834	20862	23889				
	Min	9425	11009	12595				
	End	17822	20847	23872				
PAC-SH32K500DA	Start	15000	17557	20113	25227	27785	30343	35458
	Min	7948	9288	10627	13306	14646	15986	18665
	End	14995	17550	20107	25220	27776	30333	35446

DOUBLE ACTION OUTPUT TORQUE

ACTUATOR MODEL	STROKE DIRECTION START/MIN./END	OPERATING PRESSURE (BARG)						
		3.0	3.5	4.0	5.0	5.5	6.0	7.0
		PRESSURETORQUE OUTPUT:START/MIN./END (NM)						
PAC-SH32K550DA	Start	18291	21401	24511	30732	33842	36953	43175
	Min	9678	11307	12936	16194	17824	19453	22711
	End	18284	21393	24503	30722	33832	36942	43161
PAC-SH32K400XDA	Start	18446	21611	24777	31110	34278	37443	43778
	Min	9813	11472	13132	16451	18111	19770	23090
	End	18440	21605	24768	31099	34265	37432	43763
PAC-SH32K600DA	Start	21935	25656	29377	36820	40540	44262	
	Min	11589	13538	15487	19384	21333	23282	
	End	21928	25647	29368	36807	40527	44248	
PAC-SH32K650DA	Start	26194	30641	35088	43983			
	Min	13848	16178	18508	23166			
	End	26185	30631	35077	43968			
PAC-SH32K700DA	Start	30902	36152	41402				
	Min	16348	19099	21850				
	End	30892	36140	41389				
PAC-SH63K600DA	Start	26238	30697	35156	44075	48535	52996	61916
	Min	13887	16224	18561	23236	25572	27910	32584
	End	26232	30690	35148	44065	48523	52982	61900
PAC-SH63K650DA	Start	31357	36689	42021	52685	58018	63350	74016
	Min	16604	19398	22194	27784	30579	33374	38964
	End	31350	36680	42011	52672	58003	63334	73998
PAC-SH63K500XDA	Start	35566	41645	47725	59885	65967	72048	
	Min	18889	22078	25265	31642	34829	38018	
	End	35558	41635	47714	59871	65950	72029	
PAC-SH63K700DA	Start	37022	43319	49617	62213	68512	74810	
	Min	19611	22913	26215	32819	36121	39423	
	End	37012	43308	49605	62197	68494	74791	
PAC-SH63K750DA	Start	42598	49834	57071	71544	78782		
	Min	22546	26340	30134	37720	41514		
	End	42588	49822	57056	71526	78761		
PAC-SH63K550XDA	Start	43460	50867	58275	73092			
	Min	23042	26926	30809	38576			
	End	43450	50855	58261	73073			
PAC-SH63K800DA	Start	48580	56821	65062				
	Min	25692	30011	34331				
	End	48568	56807	65046				
PAC-SH63K600XDA	Start	52228	61104	69980				
	Min	27643	32296	36948				
	End	52214	61089	69964				
PAC-SH63K850DA	Start	54937	64247	73556				
	Min	29035	33914	38793				
	End	54924	64230	73537				
PAC-SH125K750DA	Start	50538	59125	67713	84888	93476	102065	119244
	Min	26749	31251	35752	44755	49256	53758	62761
	End	50531	59116	67703	84876	93463	102051	119227
PAC-SH125K800DA	Start	57652	67433	77216	96781	106564	116347	135917
	Min	30489	35616	40742	50996	56123	61250	71505
	End	57644	67424	77204	96766	106549	116331	135897
PAC-SH125K600XDA	Start	61745	72244	82742	103741	114240	124741	145531
	Min	32683	38185	43687	54690	60192	65695	76644
	End	61737	72233	82730	103725	114223	124723	145510
PAC-SH125K850DA	Start	65209	76260	87313	109419	120472	131526	153636
	Min	34462	40255	46046	57630	63422	69215	80800
	End	65199	76249	87300	109402	120455	131507	153613
PAC-SH125K900DA	Start	73246	85647	98048	122851	135254	147658	
	Min	38685	45183	51681	64678	71176	77674	
	End	73236	85634	98034	122833	135234	147636	
PAC-SH125K650XDA	Start	73906	86477	99049	124194	136768	149201	
	Min	39138	45727	52317	65495	72085	78639	
	End	73895	86465	99035	124176	136748	149179	
PAC-SH125K700XDA	Start	87387	102258	117130	146874	161748		
	Min	46297	54092	61889	77481	85279		
	End	87375	102243	117112	146853	161725		
PAC-SH125K750XDA	Start	100629	117728	134829				
	Min	53265	62228	71192				
	End	100614	117711	134808				

SINGLE ACTION OUTPUT TORQUE

ACTUATOR MODEL	SPRING TORQUE START/MIN./END(NM)		OPERATING PRESSURE (BARG)						
			3.0	3.5	4.0	5.0	5.5	6.0	7.0
			PRESSURE TORQUE OUTPUT: START/MIN./END(NM)						
PAC-SH1K180SR1	Start	553			386	572	664	757	942
	Min.	243			175	276	326	377	478
	End	369			222	404	495	586	768
PAC-SH1K200SR1	Start	553		438	552	781	895	1010	
	Min.	243		205	268	392	454	517	
	End	369		273	385	609	722	835	
PAC-SH1K200SR2	Start	792				621	736	851	1079
	Min.	354				292	354	417	541
	End	553				405	517	630	855
PAC-SH1K220SR1	Start	553	470	609	749	1028	1167		
	Min.	243	224	299	375	527	602		
	End	369	305	441	578	852	988		
PAC-SH1K220SR2	Start	792			589	868	1007	1146	
	Min.	354			275	427	502	578	
	End	553			373	647	784	921	
PAC-SH1K220SR3	Start	933				748	887	1026	
	Min.	428				360	436	511	
	End	691				527	663	801	
PAC-SH1K250SR2	Start	792	627	821	1014				
	Min.	354	298	402	508				
	End	553	412	601	791				
PAC-SH1K250SR3	Start	933		701	894	1281			
	Min.	428		336	441	651			
	End	691		481	671	1050			
PAC-SH1K250SR4	Start	1095			809	1196			
	Min.	496			380	590			
	End	789			532	912			
PAC-SH2K220SR0	Start	1125				958	1133	1308	1658
	Min.	516				455	547	640	826
	End	835				685	856	1026	1368
PAC-SH2K250SR0	Start	1125		894	1136	1620	1862	2104	2589
	Min.	516		422	551	808	936	1065	1322
	End	835		623	859	1332	1568	1805	2277
PAC-SH2K250SR1	Start	1450				1347	1590	1831	2316
	Min.	683				659	788	917	1173
	End	1145				1052	1289	1525	1998
PAC-SH2K300SR1	Start	1450		1340	1687	2379	2726	3065	
	Min.	683		658	841	1209	1393	1575	
	End	1145		1045	1384	2060	2398	2729	
PAC-SH2K300SR2	Start	1734			1505	2197	2544	2883	
	Min.	813			726	1093	1277	1460	
	End	1352			1140	1815	2153	2485	
PAC-SH2K300SR3	Start	2039				2033	2380	2720	3398
	Min.	942				979	1162	1345	1708
	End	1538				1553	1891	2222	2885
PAC-SH2K300SR4	Start	2428				1842	2189	2529	3207
	Min.	1102				836	1020	1202	1566
	End	1755				1219	1556	1888	2550
PAC-SH2K320SR1	Start	1450	1254	1645	2037	2820			
	Min.	683	615	822	1030	1446			
	End	1145	961	1343	1726	2490			
PAC-SH2K320SR2	Start	1734		1463	1855	2638	3029		
	Min.	813		707	915	1330	1537		
	End	1352		1099	1481	2246	2627		
PAC-SH2K320SR3	Start	2039			1691	2474	2866		
	Min.	942			800	1215	1423		
	End	1538			1219	1983	2365		
PAC-SH2K320SR4	Start	2428				2283	2675	3058	
	Min.	1102				1073	1280	1486	
	End	1755				1649	2030	2405	
PAC-SH2K350SR1	Start	1450	1432	1853	2274	3094			
	Min.	683	709	932	1155	1596			
	End	1145	1135	1546	1956	2757			
PAC-SH2K350SR2	Start	1734		1670	2091	2912			
	Min.	813		816	1040	1480			
	End	1352		1301	1712	2513			

SINGLE ACTION OUTPUT TORQUE

ACTUATOR MODEL	SPRING TORQUE START/MIN./END(NM)		OPERATING PRESSURE (BARG)						
			3.0	3.5	4.0	5.0	5.5	6.0	7.0
			PRESSURE TORQUE OUTPUT: START/MIN./END(NM)						
PAC-SH2K350SR3	Start	2039		1507	1928	2748			
	Min.	942		702	925	1366			
	End	1538		1039	1450	2251			
PAC-SH2K350SR4	Start	2428			1737	2557	2967		
	Min.	1102			782	1223	1444		
	End	1755			1115	1916	2317		
PAC-SH4K300SR1	Start	2775				2773	3245	3718	4646
	Min.	1271				1307	1555	1802	2293
	End	2053				2049	2505	2962	3858
PAC-SH4K300SR2	Start	3402				2492	2965	3437	4365
	Min.	1519				1084	1331	1579	2070
	End	2365				1503	1960	2417	3313
PAC-SH4K350SR1	Start	2775		2054	2629	3777	4352	4915	6042
	Min.	1271		932	1234	1836	2137	2435	3032
	End	2053		1355	1909	3018	3573	4117	5206
PAC-SH4K350SR2	Start	3402			2348	3496	4071	4634	5762
	Min.	1519			1010	1613	1914	2212	2808
	End	2365			1364	2473	3027	3572	4660
PAC-SH4K350SR3	Start	3758				3156	3731	4294	5421
	Min.	1712				1439	1740	2038	2635
	End	2743				2163	2718	3262	4351
PAC-SH4K350SR4	Start	4280				2860	3435	3998	5125
	Min.	1936				1237	1538	1837	2433
	End	3072				1709	2264	2808	3896
PAC-SH4K400SR1	Start	2775	2564	3322	4079	5561	6302		
	Min.	1271	1203	1600	1997	2782	3175		
	End	2053	1848	2579	3310	4742	5457		
PAC-SH4K400SR2	Start	3402	2283	3041	3798	5280	6021		
	Min.	1519	980	1377	1774	2559	2951		
	End	2365	1302	2034	2765	4196	4912		
PAC-SH4K400SR3	Start	3758		2701	3458	4940	5681		
	Min.	1712		1203	1600	2385	2778		
	End	2743		1724	2455	3886	4602		
PAC-SH4K400SR4	Start	4280			3162	4644	5385	6125	
	Min.	1936			1398	2183	2576	2969	
	End	3072			2001	3432	4148	4863	
PAC-SH8K350SR1	Start	5014				3817	4535	5252	6687
	Min.	2258				1689	2064	2441	3192
	End	3561				2423	3116	3809	5195
PAC-SH8K350SR2	Start	5773				3437	4155	4872	6307
	Min.	2569				1409	1784	2161	2912
	End	3983				1763	2456	3149	4535
PAC-SH8K400SR1	Start	5014		3252	4199	6092	7038	7985	9850
	Min.	2258		1396	1892	2884	3380	3877	4862
	End	3561		1877	2792	4621	5535	6449	8251
PAC-SH8K400SR2	Start	5773			3819	5712	6658	7606	9471
	Min.	2569			1612	2604	3101	3597	4582
	End	3983			2131	3960	4875	5789	7591
PAC-SH8K400SR3	Start	6444				5198	6144	7092	8957
	Min.	2922				2287	2783	3279	4264
	End	4554				3376	4291	5205	7007
PAC-SH8K400SR4	Start	7722					5347	6294	8159
	Min.	3465					2294	2790	3775
	End	5440					3179	4093	5895
PAC-SH8K450SR1	Start	5014	3843	5049	6229	8587	9766	10945	
	Min.	2258	1711	2343	2968	4218	4843	5468	
	End	3561	2448	3613	4753	7031	8171	9310	
PAC-SH8K450SR2	Start	5773	3463	4670	5849	8207	9386	10566	
	Min.	2569	1431	2063	2688	3938	4563	5188	
	End	3983	1788	2953	4092	6371	7510	8650	
PAC-SH8K450SR3	Start	6444		4156	5335	7693	8873	10052	
	Min.	2922		1745	2370	3620	4245	4870	
	End	4554		2369	3509	5787	6927	8066	
PAC-SH8K450SR4	Start	7722			4538	6896	8075	9254	11613
	Min.	3465			1881	3131	3756	4381	5631
	End	5440			2397	4675	5815	6954	9233

SINGLE ACTION OUTPUT TORQUE

ACTUATOR MODEL	SPRING TORQUE START/MIN./END(NM)		OPERATING PRESSURE (BARG)						
			3.0	3.5	4.0	5.0	5.5	6.0	7.0
			PRESSURE TORQUE OUTPUT: START/MIN./END(NM)						
PAC-SH8K500SR1	Start	5014	5587	7087	8557	11498			
	Min.	2258	2627	3413	4191	5746			
	End	3561	4133	5582	7002	9844			
PAC-SH8K500SR2	Start	5773	5208	6707	8177	11118			
	Min.	2569	2347	3133	3911	5467			
	End	3983	3473	4922	6342	9183			
PAC-SH8K500SR3	Start	6444	4694	6193	7664	10604	12074		
	Min.	2922	2030	2815	3593	5149	5927		
	End	4554	2889	4338	5758	8600	10020		
PAC-SH8K500SR4	Start	7722		5396	6866	9807	11277		
	Min.	3465		2327	3104	4660	5438		
	End	5440		3226	4647	7488	8908		
PAC-SH16K450SR1	Start	10127			5801	8848	10371	11894	
	Min.	4444			2253	3832	4622	5411	
	End	6751			2630	5575	7047	8519	
PAC-SH16K450SR2	Start	11291				8119	9642	11166	
	Min.	4961				3367	4157	4946	
	End	7552				4550	6023	7494	
PAC-SH16K500SR1	Start	10127		6855	8749	12539	14434	16328	
	Min.	4444		2804	3785	5748	6730	7711	
	End	6751		3649	5480	9142	10973	12803	
PAC-SH16K500SR2	Start	11291			8020	11810	13705	15599	
	Min.	4961			3319	5283	6265	7246	
	End	7552			4456	8117	9949	11779	
PAC-SH16K500SR3	Start	13273				10741	12635	14530	
	Min.	5792				4535	5517	6498	
	End	8727				6373	8205	10035	
PAC-SH16K550SR1	Start	10127	7393	9696	12000	16536	18804		
	Min.	4444	3086	4279	5472	7840	9024		
	End	6751	4169	6395	8621	13005	15196		
PAC-SH16K550SR2	Start	11291		8967	11271	15807	18075	20343	
	Min.	4961		3814	5007	7375	8559	9743	
	End	7552		5371	7597	11980	14172	16364	
PAC-SH16K550SR3	Start	13273			10202	14738	17006	19274	
	Min.	5792			4259	6627	7811	8995	
	End	8727			5853	10236	12428	14620	
PAC-SH16K600SR2	Start	11291	9357	12112	14867	20302			
	Min.	4961	4018	5444	6871	9704			
	End	7552	5747	8409	11072	16323			
PAC-SH16K600SR3	Start	13273		11043	13798	19232			
	Min.	5792		4696	6123	8956			
	End	8727		6665	9327	14579			
PAC-SH16K600SR4	Start	15960			12190	17624	20342		
	Min.	6966			5066	7900	9317		
	End	10494			6963	12215	14841		
PAC-SH32K550SR1	Start	17354		10100	12962	18685	21547	24409	
	Min.	7313		3594	5061	7993	9460	10926	
	End	10422		3595	6363	11898	14665	17433	
PAC-SH32K550SR2	Start	20359			11464	17187	20049	22911	
	Min.	8533			3963	6895	8362	9828	
	End	12050			3688	9223	11991	14759	
PAC-SH32K550SR3	Start	23136				14036	16898	19760	25484
	Min.	10166				5425	6892	8358	11291
	End	15475				6752	9519	12287	17822
PAC-SH32K600SR1	Start	17354	10592	14015	17439	24286	27709	31133	37981
	Min.	7313	3848	5602	7357	10864	12618	14372	17879
	End	10422	4070	7381	10692	17313	20624	23936	30557
PAC-SH32K600SR2	Start	20359		12517	15941	22788	26211	29635	36483
	Min.	8533		4504	6259	9766	11520	13274	16781
	End	12050		4706	8018	14639	17950	21261	27883
PAC-SH32K600SR3	Start	23136				19637	23060	26484	33332
	Min.	10166				8296	10050	11804	15311
	End	15475				12167	15478	18790	25411
PAC-SH32K600SR4	Start	27080				17174	20597	24021	30869
	Min.	11909				6727	8481	10235	13743
	End	18152				8657	11968	15280	21901

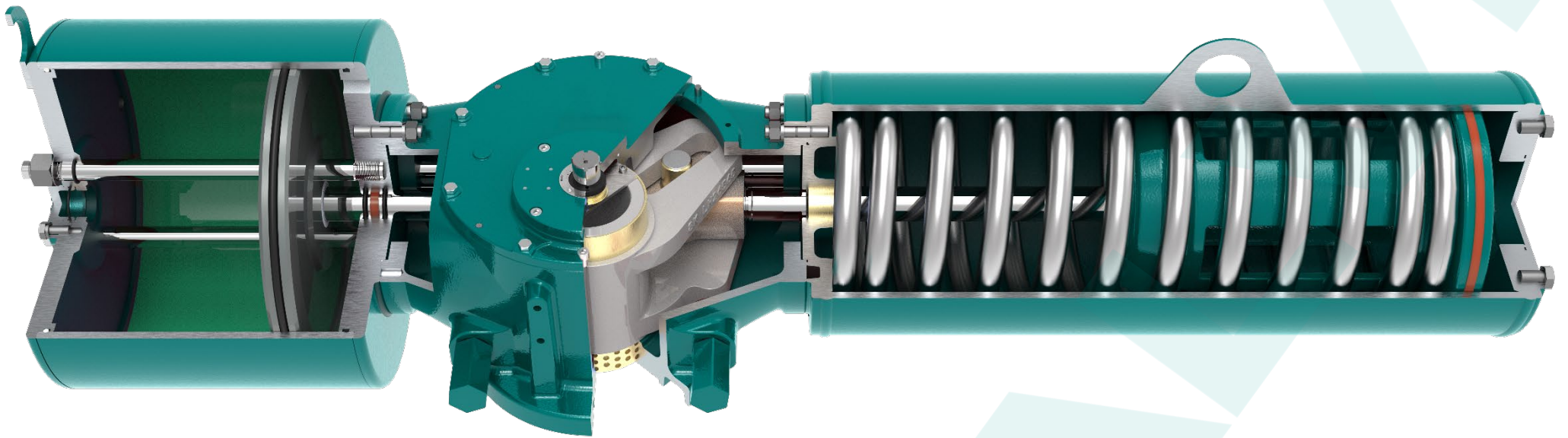
SINGLE ACTION OUTPUT TORQUE

ACTUATOR MODEL	SPRING TORQUE START/MIN./END(NM)		OPERATING PRESSURE (BARG)						
			3.0	3.5	4.0	5.0	5.5	6.0	7.0
			PRESSURE TORQUE OUTPUT: START/MIN./END(NM)						
PAC-SH32K650SR2	Start	20359	13013	17104	21195	29378	33470	37520	
	Min.	8533	4784	6880	8977	13170	15267	17353	
	End	12050	5185	9142	13099	21012	24969	28886	
PAC-SH32K650SR3	Start	23136			18044	26227	30319	34369	
	Min.	10166			7507	11700	13797	15883	
	End	15475			10627	18540	22498	26415	
PAC-SH32K650SR4	Start	27080				23764	27856	31906	40007
	Min.	11909				10132	12228	14314	18486
	End	18152				15030	18987	22905	30739
PAC-SH32K700SR2	Start	20359	17344	22174	27004	36666			
	Min.	8533	7033	9509	11985	16937			
	End	12050	9374	14045	18717	28060			
PAC-SH32K700SR3	Start	23136	14193	19023	23853	33515	38345		
	Min.	10166	5563	8039	10515	15467	17943		
	End	15475	6902	11574	16245	25588	30260		
PAC-SH32K700SR4	Start	27080		16560	21390	31052	35883	40663	
	Min.	11909		6471	8946	13898	16374	18837	
	End	18152		8064	12735	22078	26749	31372	
PAC-SH32K750SR3	Start	23136	18463	24011	29559	40508			
	Min.	10166	7761	10604	13448	19097			
	End	15475	11032	16398	21764	32353			
PAC-SH32K750SR4	Start	27080	16000	21548	27097	38046			
	Min.	11909	6192	9036	11879	17528			
	End	18152	7522	12888	18254	28843			
PAC-SH32K800SR4	Start	27080	20577	26894	33211				
	Min.	11909	8545	11782	15019				
	End	18152	11948	18058	24167				
PAC-SH63K650SR1	Start	32807			19206	29017	33923	38829	48642
	Min.	14205			7190	12221	14736	17252	22283
	End	21145			8191	17680	22424	27169	36660
PAC-SH63K650SR2	Start	38261				24214	29121	34027	43839
	Min.	17016				9691	12206	14722	19753
	End	26365				12826	17570	22315	31806
PAC-SH63K700SR1	Start	32807		20400	26194	37782	43578	49372	60963
	Min.	14205		7837	10809	16752	19724	22696	28640
	End	21145		9346	14950	26157	31762	37366	48576
PAC-SH63K700SR2	Start	38261				32980	38775	44570	56160
	Min.	17016				14222	17194	20166	26110
	End	26365				21303	26907	32512	43722
PAC-SH63K750SR1	Start	32807	19737	26394	33052	46367	53026	59684	72873
	Min.	14205	7507	10921	14336	21164	24578	27992	34789
	End	21145	8705	15143	21582	34460	40899	47339	60095
PAC-SH63K750SR2	Start	38261			28250	41565	48223	54881	68071
	Min.	17016			11806	18634	22048	25462	32259
	End	26365			16728	29606	36045	42485	55241
PAC-SH63K750SR3	Start	42885				37209	43867	50525	63715
	Min.	19480				16416	19831	23245	30041
	End	31100				25490	31930	38370	51126
PAC-SH63K750SR4	Start	47448				33896	40554	47212	60402
	Min.	21630				14481	17896	21310	28106
	End	34701				21429	27869	34309	47065
PAC-SH63K800SR1	Start	32807	25241	32822	40404	55568	63151	70733	
	Min.	14205	10338	14225	18113	25888	29776	33663	
	End	21145	14027	21360	28692	43358	50692	58025	
PAC-SH63K800SR2	Start	38261		28020	35602	50766	58348	65931	
	Min.	17016		11695	15583	23358	27246	31134	
	End	26365		16506	23838	38504	45838	53171	
PAC-SH63K800SR3	Start	42885			31245	46410	53992	61575	
	Min.	19480			13366	21141	25029	28916	
	End	31100			19723	34389	41723	49056	
PAC-SH63K800SR4	Start	47448				43097	50679	58262	
	Min.	21630				19206	23094	26981	
	End	34701				30328	37661	44995	
PAC-SH63K850SR1	Start	32807	31089	39653	48218	65348	73829		
	Min.	14205	13347	17738	22129	30912	35281		
	End	21145	19684	27967	36250	52818	61019		

SINGLE ACTION OUTPUT TORQUE

ACTUATOR MODEL	SPRING TORQUE START/MIN./END(NM)		OPERATING PRESSURE (BARG)						
			3.0	3.5	4.0	5.0	5.5	6.0	7.0
			PRESSURE TORQUE OUTPUT: START/MIN./END(NM)						
PAC-SH63K850SR2	Start	38261	26286	34851	43416	60546	69026		
	Min.	17016	10817	15208	19599	28382	32751		
	End	26365	14830	23113	31396	47963	56165		
PAC-SH63K850SR3	Start	42885		30495	39060	56190	64670		
	Min.	19480		12990	17381	26164	30534		
	End	31100		18997	27281	43848	52050		
PAC-SH63K850SR4	Start	47448			35747	52877	61357		
	Min.	21630			15446	24229	28599		
	End	34701			23219	39787	47989		
PAC-SH125K800SR1	Start	57977				52094	61192	70291	88490
	Min.	25946				22795	27461	32127	41459
	End	40766				34911	43715	52518	70128
PAC-SH125K800SR2	Start	68498				44665	53763	62862	81061
	Min.	30810				18369	23035	27701	37032
	End	48754				25442	34246	43049	60659
PAC-SH125K850SR1	Start	57977			43289	63847	74126	84407	104969
	Min.	25946			18291	28833	34103	39375	49917
	End	40766			26391	46283	56230	66177	86073
PAC-SH125K850SR2	Start	68498				56418	66698	76978	97540
	Min.	30810				24407	29677	34948	45491
	End	48754				36814	46761	56708	76604
PAC-SH125K850SR3	Start	85908					58189	68469	89032
	Min.	37789					23326	28598	39140
	End	57903					31092	41039	60935
PAC-SH125K900SR1	Start	57977		41739	53272	76339	87874	99409	122480
	Min.	25946		17506	23419	35246	41159	47073	58901
	End	40766		24891	36051	58371	69531	80693	103016
PAC-SH125K900SR2	Start	68498				68910	80445	91980	115051
	Min.	30810				30820	36733	42647	54475
	End	48754				48902	60062	71224	93547
PAC-SH125K900SR3	Start	85908				60402	71936	83472	106543
	Min.	37789				24469	30382	36296	48124
	End	57903				33233	44393	55555	77878
PAC-SH125K1000SR1	Start	57977	46432	60687	74943	103456	117713		
	Min.	25946	19933	27241	34549	49166	56474		
	End	40766	29432	43225	57019	84608	98404		
PAC-SH125K1000SR2	Start	68498		53258	67514	96027	110284		
	Min.	30810		22815	30123	44740	52048		
	End	48754		33756	47550	75139	88935		
PAC-SH125K1000SR3	Start	85908			59005	87519	101776		
	Min.	37789			23772	38389	45697		
	End	57903			31881	59470	73266		
PAC-SH125K750IISR1	Start	57977	55673	71575	87478	118826	134500		
	Min.	25946	24861	33017	41174	57370	65468		
	End	40766	38374	53761	69148	99480	114646		
PAC-SH125K750IISR2	Start	68498		64146	80050	111397	127071		
	Min.	30810		28590	36747	52944	61042		
	End	48754		44292	59679	90011	105177		
PAC-SH125K750IISR3	Start	85908			71541	102889	118563		
	Min.	37789			30397	46593	54691		
	End	57903			44010	74342	89508		

ACTUATOR CYLINDER CAPACITY



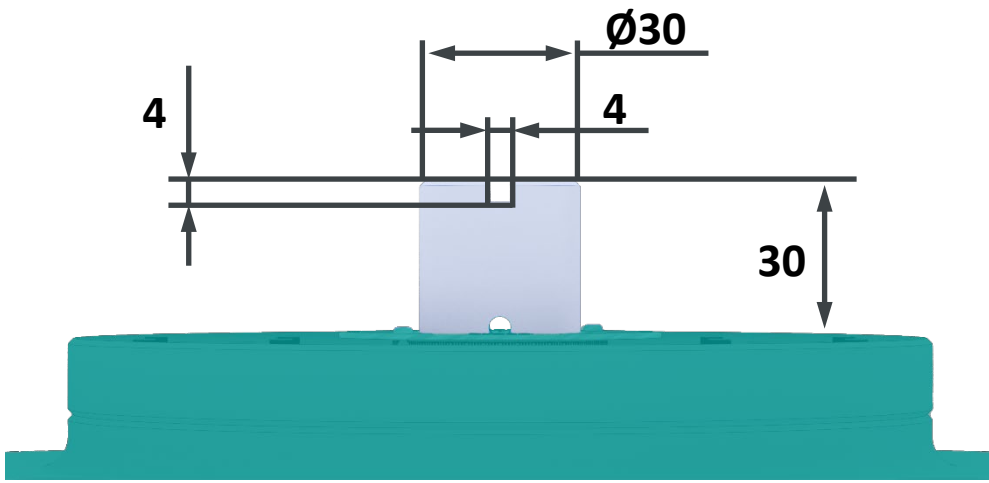
BOX MODEL	CYLINDER DIAMETER	CYLINDER CAPACITY
PAC-SH1K	160	2L
	180	2.5L
	200	3.1L
	220	3.7L
	250	4.8L
PAC-SH2K	200	3.8L
	220	4.6L
	250	5.9L
	300	8.5L
	320	9.6L
	350	11.5L
PAC-SH4K	250	7.9L
	300	11.3L
	350	15.4L
	400	20.1L

BOX MODEL	CYLINDER DIAMETER	CYLINDER CAPACITY
PAC-SH8K	350	19.2L
	400	25.1L
	450	31.8L
	500	39.3L
	400	31.4L
PAC-SH16K	450	39.7L
	500	49.1L
	550	59.4L
	600	70.7L
	500	60.4L
	550	73.1L
PAC-SH32K	600	87L
	650	102.2L
	700	118.5L
	750	136L
	800	154.7L

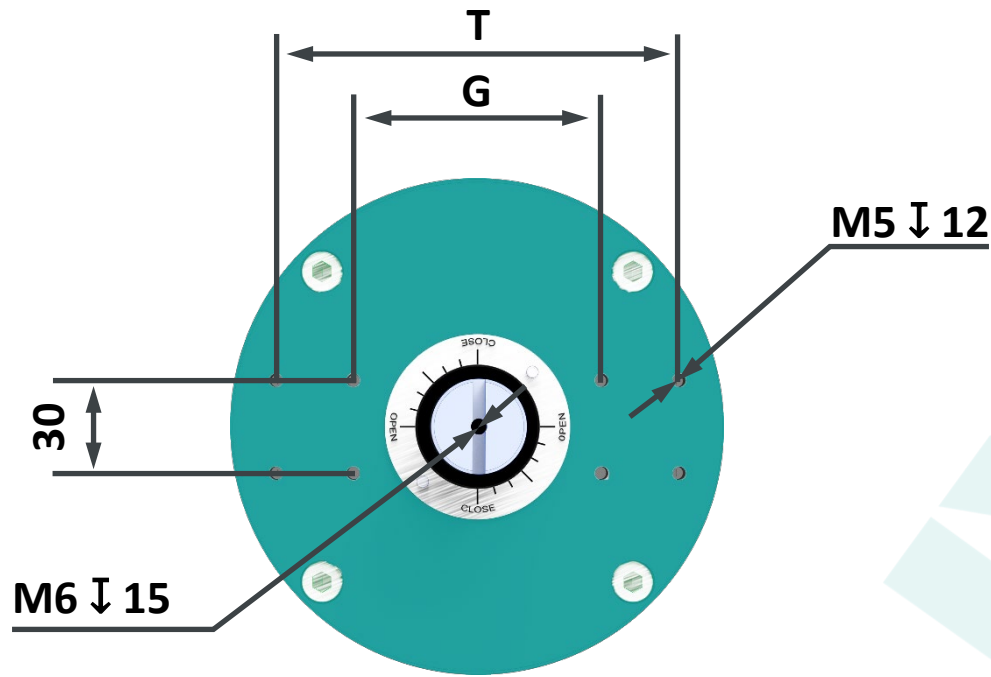
BOX MODEL	CYLINDER DIAMETER	CYLINDER CAPACITY
PAC-SH63K	600	101.7L
	650	119.4L
	700	138.5L
	750	159L
	800	180.9L
PAC-SH125K	850	204.2L
	750	194.3L
	800	221.1L
	850	249.6L
	900	279.9L
	1000	345.4L

DIMENSIONS

POSITION INDICATION PLATFORM DIMENSIONS

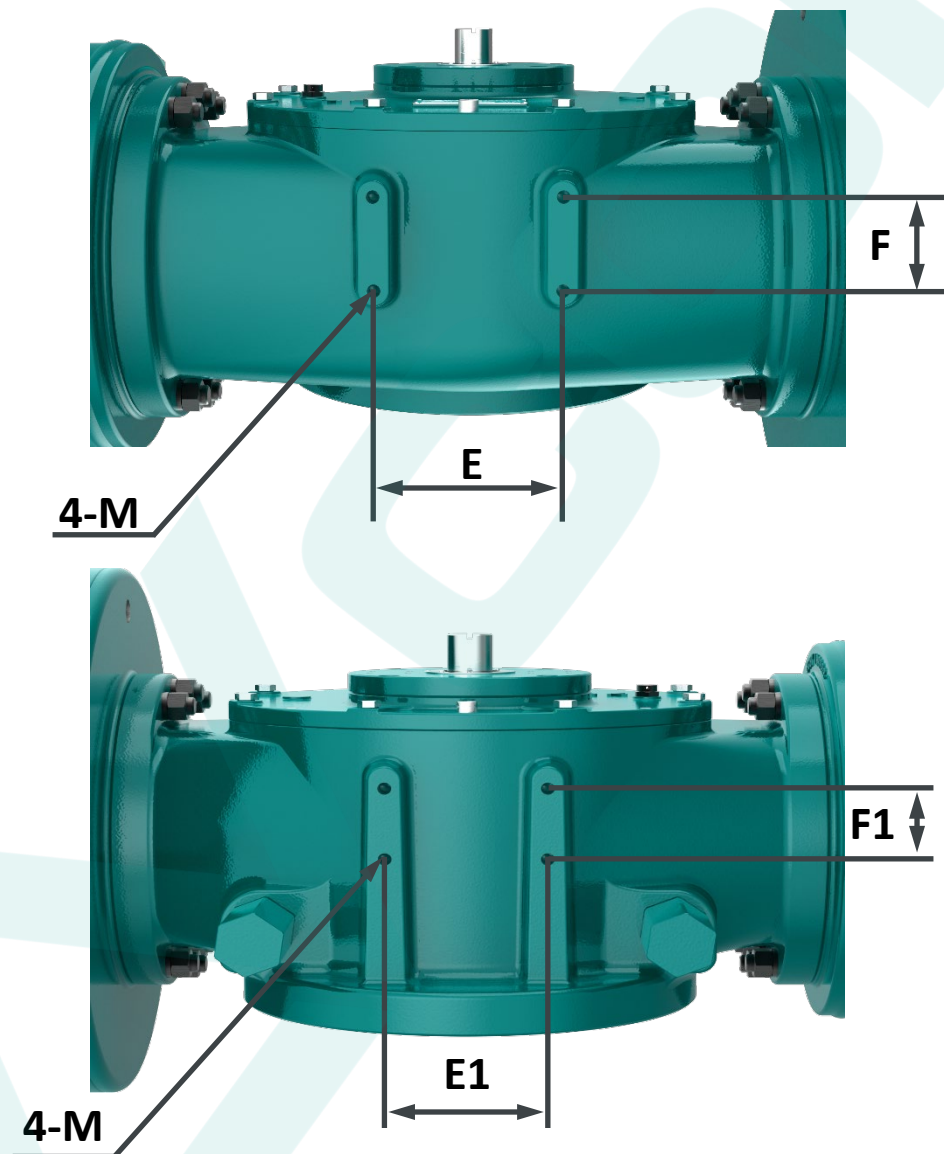


BOX MODEL	G	T
PAC-SH1K	80	/
PAC-SH2K	80	/
PAC-SH4K	80	/
PAC-SH8K	80	130
PAC-SH16K	80	130
PAC-SH32K	80	130
PAC-SH63K	80	130
PAC-SH125K	80	130



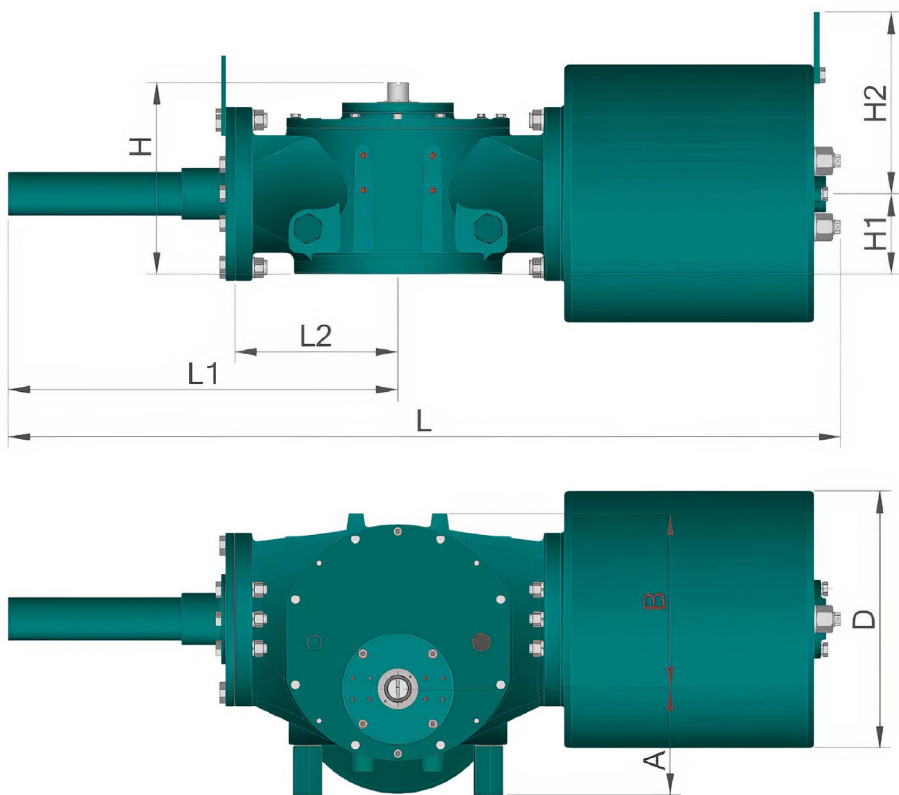
CABINET ACCESSORY PANEL PLATFORM DIMENSIONS

BOX MODEL	E	F	E1	F1	4-M
PAC-SH1K	120	60	100	50	4-M10 ↓ 15
PAC-SH2K	120	60	100	50	4-M10 ↓ 15
PAC-SH4K	120	60	100	50	4-M10 ↓ 15
PAC-SH8K	120	60	100	50	4-M10 ↓ 15
PAC-SH16K	120	60	100	50	4-M10 ↓ 15
PAC-SH32K	120	60	100	50	4-M10 ↓ 15
PAC-SH63K	160	80	120	60	4-M12 ↓ 18
PAC-SH125K	160	80	120	60	4-M12 ↓ 18



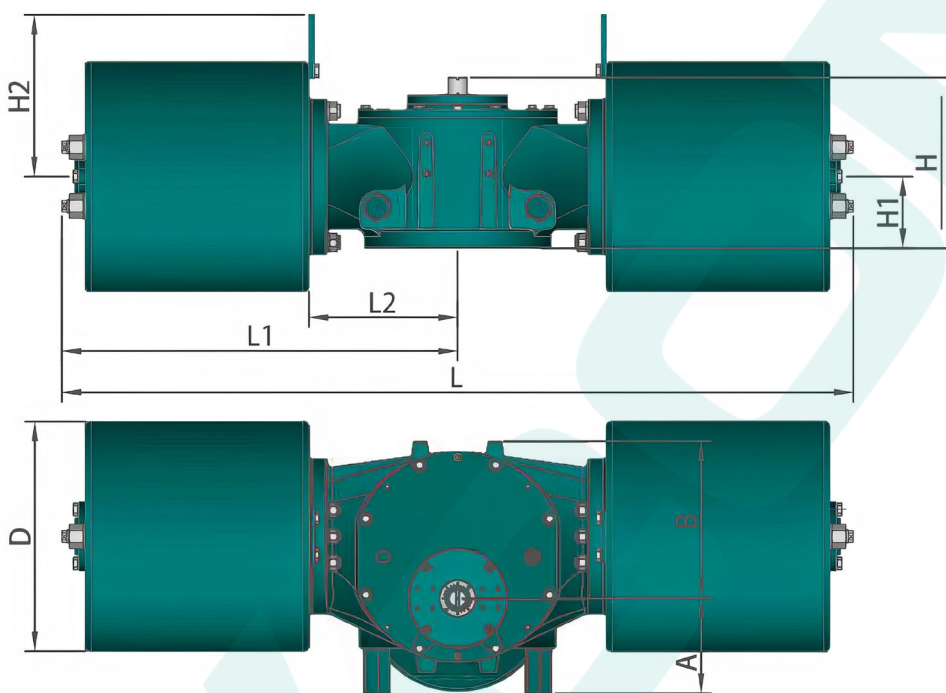
DIMENSIONS

OVERALL DIMENSIONS-DOUBLE ACTION SINGLE CYLINDER



ACTUATOR MODEL	L	L1	L2	D	H	H1	H2	A	B
PAC-SH1K160DA	683	371	125	170	194	75,5	147	108	139
PAC-SH1K180DA	683	371	125	194	194	75,5	152	108	139
PAC-SH1K200DA	683	371	125	213	194	75,5	160	108	139
PAC-SH1K220DA	683	371	125	235	194	75,5	170	108	139
PAC-SH2K220DA	793	423,5	147,5	235	215	85	170	108	162
PAC-SH2K250DA	793	423,5	147,5	266	215	85	185	108	162
PAC-SH2K300DA	798	428,5	147,5	320	215	85	210	108	162
PAC-SH4K250DA	989	522	190	266	245	100	185	125	200
PAC-SH4K300DA	993	526	190	320	245	100	210	125	200
PAC-SH4K350DA	998	531	190	370	245	100	248	125	200
PAC-SH8K350DA	1196	636	235	370	275	115	248	145	247
PAC-SH8K400DA	1200	640	235	420	275	115	275	145	247
PAC-SH8K300XDA	1270	635	235	320	275	115	210	145	247
PAC-SH8K450DA	1210	650	235	470	275	115	315	145	247
PAC-SH16K400DA	1420	747,5	272,5	420	299	127	275	168	302
PAC-SH16K450DA	1430	757,5	272,5	470	299	127	315	168	302
PAC-SH16K350XDA	1489	744,5	272,5	370	299	127	270	168	302
PAC-SH16K500DA	1433	760,5	272,5	520	299	127	340	168	302
PAC-SH16K550DA	1445	772,5	272,5	575	299	127	367	168	302
PAC-SH16K600DA	1445	772,5	272,5	625	299	127	417	168	302
PAC-SH32K500DA	1710	880	330	520	365	158	340	200	367
PAC-SH32K550DA	1720	890	330	575	365	158	367	200	367
PAC-SH32K400XDA	1780	890	330	420	365	158	275	200	367
PAC-SH32K600DA	1730	890	330	625	365	158	417	200	367
PAC-SH32K650DA	1746	898	330	680	365	158	443	200	367
PAC-SH32K700DA	1767	907	330	730	365	158	468	200	367
PAC-SH63K600DA	1960	1005	375	625	435	198	417	220	425
PAC-SH63K650DA	1978	1023	375	680	435	198	443	220	425
PAC-SH63K500XDA	2000	1000	375	520	435	198	340	220	425
PAC-SH63K700DA	1985	1030	375	730	435	198	468	220	425
PAC-SH63K750DA	1985	1030	375	780	435	198	519	220	425
PAC-SH63K550XDA	2010	1005	375	575	435	198	367	220	425
PAC-SH63K800DA	1995	1040	375	830	435	198	545	220	425
PAC-SH63K600XDA	2010	1005	375	625	435	198	417	220	425
PAC-SH63K850DA	2000	1045	375	890	435	198	592	220	425
PAC-SH125K750DA	2390	1230	460	780	450	201	519	275	500
PAC-SH125K800DA	2400	1240	460	830	450	201	545	275	500
PAC-SH125K600XDA	2440	1220	460	625	450	201	417	275	500
PAC-SH125K850DA	2400	1240	460	890	450	201	592	275	500
PAC-SH125K900DA	2410	1250	460	940	450	201	640	275	500
PAC-SH125K650XDA	2440	1220	460	680	450	201	440	275	500
PAC-SH125K700XDA	2454	1227	460	730	450	201	468	275	500
PAC-SH125K750XDA	2460	1230	460	780	450	201	519	275	500

OVERALL DIMENSIONS-DOUBLE ACTION DOUBLE CYLINDER



DIMENSIONS

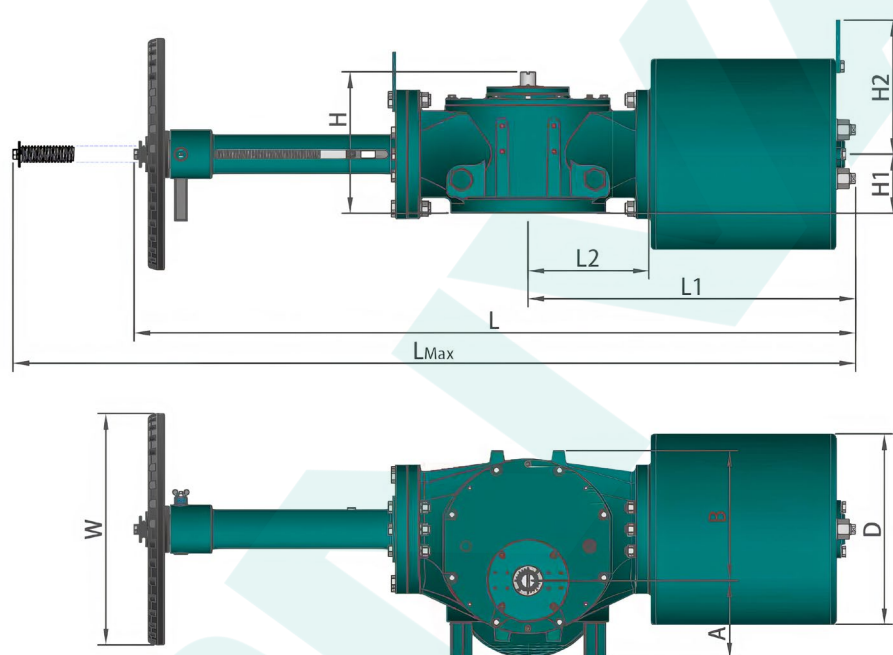
MANUAL MODULE CONFIGURATION

■ CONVALVE recommended manual module selection and configuration
■ Optional manual configuration

MODEL	ISO FLANGE	TORQUE RANGE (NM)	DOUBLE ACTION				SINGLE ACTION			
			SCREW ROD MANUAL	GEAR MANUAL	HYDRAULIC MANUAL	CLUTCH MANUAL	SCREW ROD MANUAL	GEAR MANUAL	HYDRAULIC MANUAL	CLUTCH MANUAL
PAC-SH1K	F12/F14	1000	■		■	■	■	■	■	■
PAC-SH2K	F14	2000	■	■	■	■	■	■	■	■
PAC-SH4K	F16	4000	■	■	■	■	■	■	■	
PAC-SH8K	F25	8000	■	■	■			■	■	
PAC-SH16K	F30	16000	■	■	■			■	■	
PAC-SH32K	F35	32000		■	■			■	■	
PAC-SH63K	F40	63000		■	■			■	■	
PAC-SH125K	F48	125000		■	■			■	■	

- The clutch manual operator is a clutch turbine cabinet structure, installed at the bottom of the pneumatic actuator. This configuration can be selected to meet space requirements in cases where the operating site has limited space in the actuator's length direction.
- When there are switching time requirements for the actuator, the use of hydraulic manual systems should be avoided as much as possible.

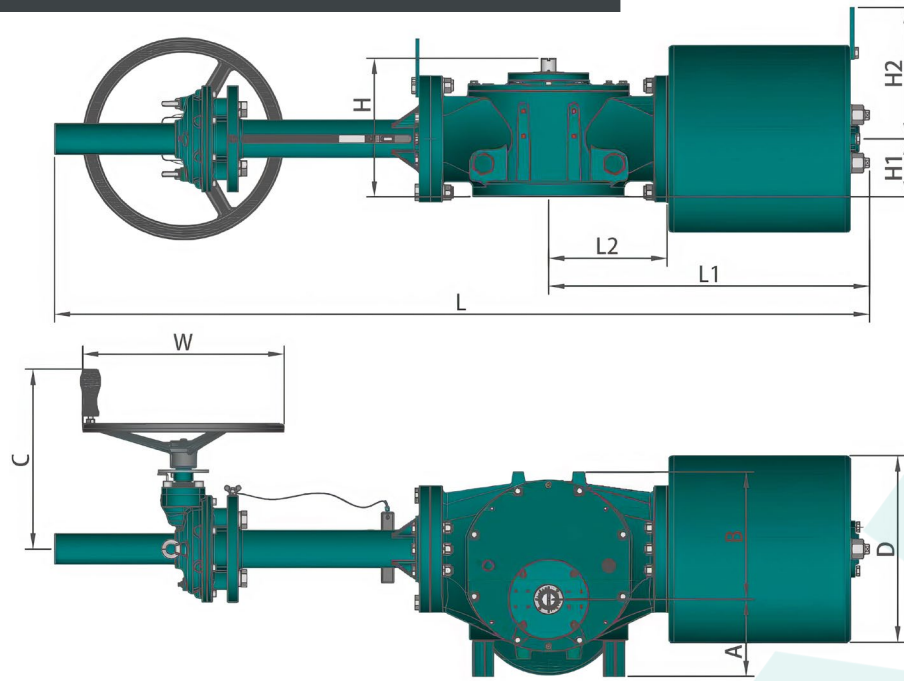
OVERALL DIMENSIONS-DOUBLE ACTION SINGLE CYLINDER + SCREW ROD MANUAL



ACTUATOR MODEL	LMAX	L	L1	L2	D	H	H1	H2	A	B	W
PAC-SH1K160DA-SD	941	826	371	125	170	194	75.5	147	108	139	280
PAC-SH1K180DA-SD	941	826	371	125	194	194	75.5	152	108	139	280
PAC-SH1K200DA-SD	941	826	371	125	213	194	75.5	160	108	139	280
PAC-SH1K220DA-SD	941	826	371	125	235	194	75.5	170	108	139	280
PAC-SH2K220DA-SD	1111	971	423.5	147.5	235	203	85	170	108	162	300
PAC-SH2K250DA-SD	1111	971	423.5	147.5	266	203	85	185	108	162	300
PAC-SH2K300DA-SD	1116	976	428.5	147.5	320	203	85	210	108	162	300
PAC-SH4K250DA-SD	1374	1187	522	190	266	245	100	185	125	200	350
PAC-SH4K300DA-SD	1378	1191	526	190	320	245	100	210	125	200	350
PAC-SH4K350DA-SD	1383	1196	531	190	370	245	100	248	125	200	350
PAC-SH8K350DA-SD	1661	1427	636	235	370	275	115	248	145	247	450
PAC-SH8K400DA-SD	1665	1431	640	235	420	275	115	275	145	247	450
PAC-SH8K450DA-SD	1675	1441	650	235	470	275	115	315	145	247	450
PAC-SH16K400DA-SD	1972	1680	747.5	272.5	420	299	127	275	168	302	500
PAC-SH16K450DA-SD	1982	1690	757.5	272.5	470	299	127	315	168	302	500
PAC-SH16K500DA-SD	1985	1693	760.5	272.5	520	299	127	340	168	302	500
PAC-SH16K550DA-SD	1997	1705	772.5	272.5	575	299	127	367	168	302	500
PAC-SH16K600DA-SD	1997	1705	772.5	272.5	625	299	127	417	168	302	500

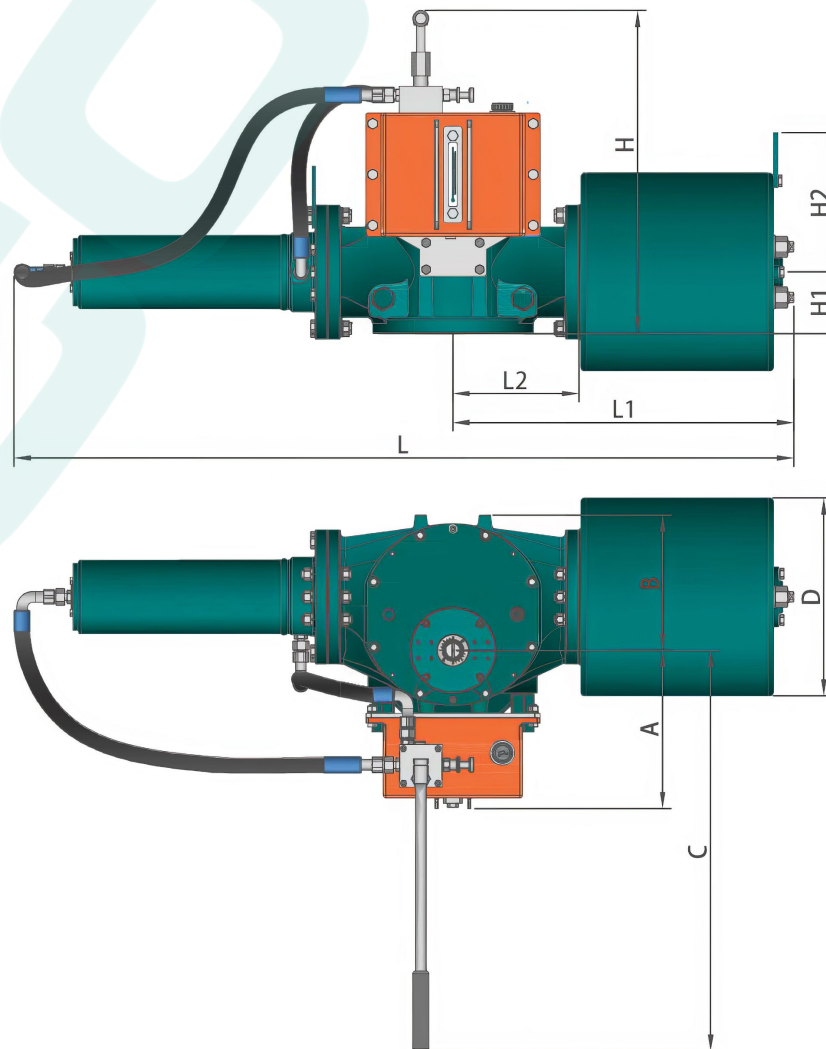
DIMENSIONS

OVERALL DIMENSIONS-DOUBLE ACTION SINGLE CYLINDER + BEVEL GEAR MANUAL



ACTUATOR MODEL	L	L1	L2	D	H	H1	H2	A	B	C	W
PAC-SH32K500DA-GD	2430	890	330	520	365	158	340	220	367	410	520
PAC-SH32K550DA-GD	2440	895	330	575	365	158	367	220	367	410	520
PAC-SH32K600DA-GD	2420	895	330	625	365	158	417	220	367	410	520
PAC-SH32K650DA-GD	2438	898	330	680	365	158	443	220	367	410	520
PAC-SH32K700DA-GD	2447	907	330	730	365	158	468	220	367	410	520
PAC-SH63K600DA-GD	2780	1005	375	625	435	198	417	245	405	410	520
PAC-SH63K650DA-GD	2798	1023	375	680	435	198	443	245	405	410	520
PAC-SH63K700DA-GD	2805	1030	375	730	435	198	468	245	405	410	520
PAC-SH63K750DA-GD	2805	1030	375	780	435	198	519	245	405	410	520
PAC-SH63K800DA-GD	2815	1040	375	830	435	198	545	245	405	410	520
PAC-SH63K850DA-GD	2820	1045	375	890	435	198	592	245	405	410	520
PAC-SH125K750DA-GD	3340	1230	460	780	450	201	519	275	500	490	600
PAC-SH125K800DA-GD	3350	1240	460	830	450	201	545	275	500	490	600
PAC-SH125K850DA-GD	3350	1240	460	890	450	201	592	275	500	490	600
PAC-SH125K900DA-GD	3360	1250	460	940	450	201	640	275	500	490	600

OVERALL DIMENSIONS-DOUBLE ACTION SINGLE CYLINDER + HYDRAULIC MANUAL



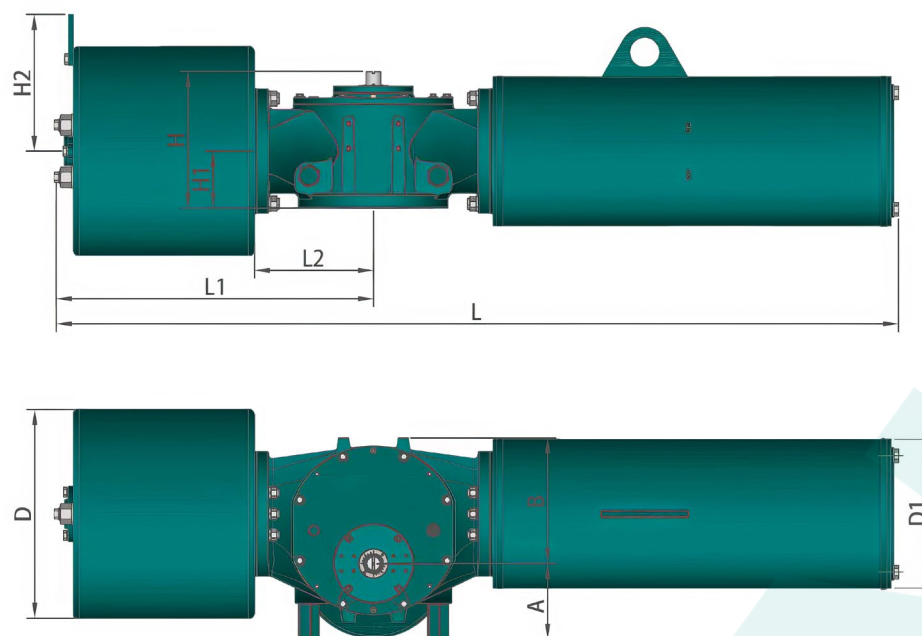
DIMENSIONS

OVERALL DIMENSIONS-DOUBLE ACTION SINGLE CYLINDER + HYDRAULIC MANUAL

ACTUATOR MODEL	L	L1	L2	D	H	H1	H2	A	B	C
PAC-SH1K160DA-GH	871	371	125	170	550	75.5	147	241	139	700
PAC-SH1K180DA-GH	871	371	125	194	550	75.5	152	241	139	700
PAC-SH1K200DA-GH	871	371	125	213	550	75.5	160	241	139	700
PAC-SH1K220DA-GH	871	371	125	235	550	75.5	170	241	139	700
PAC-SH2K220DA-GH	991	423.5	147.5	235	560	85	170	252	162	710
PAC-SH2K250DA-GH	991	423.5	147.5	266	560	85	185	252	162	710
PAC-SH2K300DA-GH	996	428.5	147.5	320	560	85	210	252	162	710
PAC-SH2K350DA-GH	1001	433.5	147.5	370	560	85	248	252	162	710
PAC-SH4K250DA-GH	1202	522	190	266	570	100	185	270	200	730
PAC-SH4K300DA-GH	1206	526	190	320	570	100	210	270	200	730
PAC-SH4K350DA-GH	1211	531	190	370	570	100	248	270	200	730
PAC-SH4K400DA-GH	1221	541	190	420	570	100	275	270	200	730
PAC-SH8K350DA-GH	1431	636	235	370	600	115	248	340	247	800
PAC-SH8K400DA-GH	1435	640	235	420	600	115	275	340	247	800
PAC-SH8K450DA-GH	1445	650	235	470	600	115	315	340	247	800
PAC-SH16K400DA-GH	1682	747.5	272.5	420	650	127	275	415	302	870
PAC-SH16K450DA-GH	1692	757.5	272.5	470	650	127	315	415	302	870
PAC-SH16K500DA-GH	1695	760.5	272.5	520	650	127	340	415	302	870
PAC-SH16K550DA-GH	1707	772.5	272.5	575	650	127	367	415	302	870
PAC-SH16K600DA-GH	1707	772.5	272.5	625	650	127	417	415	302	870
PAC-SH32K500DA-GH	1960	880	330	520	730	158	340	495	367	950
PAC-SH32K550DA-GH	1970	890	330	575	730	158	367	495	367	950
PAC-SH32K600DA-GH	1970	890	330	625	730	158	417	495	367	950
PAC-SH32K650DA-GH	1978	898	330	680	730	158	443	495	367	950
PAC-SH32K700DA-GH	1987	907	330	730	730	158	468	495	367	950
PAC-SH63K600DA-GH	2245	1005	375	625	810	198	417	540	425	1000
PAC-SH63K650DA-GH	2263	1023	375	680	810	198	443	540	425	1000
PAC-SH63K700DA-GH	2270	1030	375	730	810	198	468	540	425	1000
PAC-SH63K750DA-GH	2270	1030	375	780	810	198	519	540	425	1000
PAC-SH63K800DA-GH	2280	1040	375	830	810	198	545	540	425	1000
PAC-SH63K850DA-GH	2285	1045	375	890	810	198	592	540	425	1000
PAC-SH125K750DA-GH	2720	1230	460	780	880	201	519	540	500	1100
PAC-SH125K800DA-GH	2730	1240	460	830	880	201	545	540	500	1100
PAC-SH125K850DA-GH	2730	1240	460	890	880	201	592	540	500	1100
PAC-SH125K900DA-GH	2740	1250	460	940	880	201	640	540	500	1100

DIMENSIONS

DIMENSIONS SINGLE ACTION



ACTUATOR MODEL	L	L1	L2	D	D1	H	H1	H2	A	B
PAC-SH1K180SR1	880	371	125	194	168	194	75.5	152	108	139
PAC-SH1K200SR1	880	371	125	213	168	194	75.5	160	108	139
PAC-SH1K200SR2	897	372.5	125.5	213	168	195	76.5	162	109	140
PAC-SH1K220SR1	880	371	125	235	168	194	75.5	170	108	139
PAC-SH1K220SR2	895	371	125	235	168	194	75.5	170	108	139
PAC-SH1K220SR3	940	371	125	235	168	194	75.5	170	108	139
PAC-SH1K250SR2	898	374	125	266	168	194	75.5	185	108	139
PAC-SH1K250SR3	943	374	125	266	168	194	75.5	185	108	139
PAC-SH1K250SR4	963	374	125	266	180	194	75.5	185	108	139
PAC-SH2K220SR0	1134	423.5	147.5	235	213	203	85	170	108	162
PAC-SH2K250SR0	1134	423.5	147.5	266	213	203	85	185	108	162
PAC-SH2K250SR1	1154	423.5	147.5	266	213	203	85	185	108	162
PAC-SH2K300SR1	1159	428.5	147.5	320	213	203	85	210	108	162
PAC-SH2K300SR2	1159	428.5	147.5	320	213	203	85	210	108	162
PAC-SH2K300SR3	1214	428.5	147.5	320	213	203	85	210	108	162
PAC-SH2K300SR4	1276	428.5	147.5	320	213	203	85	210	108	162
PAC-SH2K320SR1	1159	428.5	147.5	340	213	203	85	220	108	162
PAC-SH2K320SR2	1159	428.5	147.5	340	213	203	85	220	108	162
PAC-SH2K320SR3	1214	428.5	147.5	340	213	203	85	220	108	162
PAC-SH2K320SR4	1276	428.5	147.5	340	213	203	85	220	108	162
PAC-SH2K350SR1	1164	433.5	147.5	370	213	203	85	248	108	162
PAC-SH2K350SR2	1164	433.5	147.5	370	213	203	85	248	108	162
PAC-SH2K350SR3	1219	433.5	147.5	370	213	203	85	248	108	162
PAC-SH2K350SR4	1281	433.5	147.5	370	213	203	85	248	108	162
PAC-SH4K300SR1	1390	526	190	320	235	245	100	210	125	200
PAC-SH4K300SR2	1445	526	190	320	235	245	100	210	125	200
PAC-SH4K350SR1	1395	531	190	370	235	245	100	248	125	200
PAC-SH4K350SR2	1450	531	190	370	235	245	100	248	125	200
PAC-SH4K350SR3	1468	531	190	370	235	245	100	248	125	200
PAC-SH4K350SR4	1468	531	190	370	235	245	100	248	125	200
PAC-SH4K400SR1	1405	541	190	420	235	245	100	275	125	200
PAC-SH4K400SR2	1460	541	190	420	235	245	100	275	125	200
PAC-SH4K400SR3	1478	541	190	420	235	245	100	275	125	200
PAC-SH4K400SR4	1478	541	190	420	235	245	100	275	125	200
PAC-SH8K350SR1	1645	636	235	370	299	275	115	248	145	247
PAC-SH8K350SR2	1695	636	235	370	299	275	115	248	145	247

DIMENSIONS

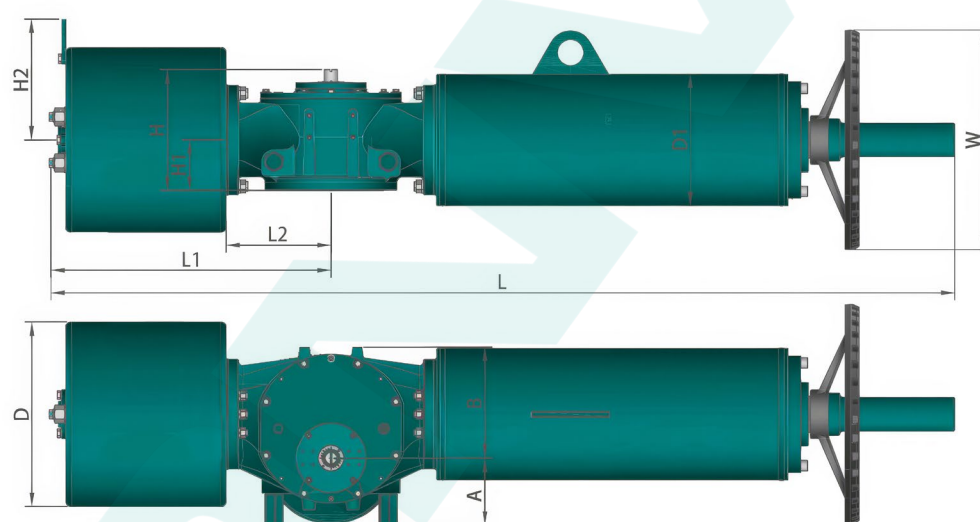
DIMENSIONS SINGLE ACTION										
ACTUATOR MODEL	L	L1	L2	D	D1	H	H1	H2	A	B
PAC-SH8K400SR1	1649	640	235	420	299	275	115	275	146	247
PAC-SH8K400SR2	1699	640	235	420	299	275	115	275	146	247
PAC-SH8K400SR3	1699	640	235	420	299	275	115	275	146	247
PAC-SH8K400SR4	1742	640	235	420	299	275	115	275	146	247
PAC-SH8K450SR1	1659	650	235	470	299	275	115	315	148	247
PAC-SH8K450SR2	1709	650	235	470	299	275	115	315	148	247
PAC-SH8K450SR3	1709	650	235	470	299	275	115	315	148	247
PAC-SH8K450SR4	1752	650	235	470	299	275	115	315	148	247
PAC-SH8K500SR1	1662	653	235	520	299	275	115	335	148	247
PAC-SH8K500SR2	1712	653	235	520	299	275	115	335	148	247
PAC-SH8K500SR3	1712	653	235	520	299	275	115	335	148	247
PAC-SH8K500SR4	1755	653	235	520	299	275	115	335	148	247
PAC-SH16K450SR1	1969	757.5	272.5	470	370	299	127	315	168	302
PAC-SH16K450SR2	1969	757.5	272.5	470	370	299	127	315	168	302
PAC-SH16K500SR1	1972	760.5	272.5	520	370	299	127	340	168	302
PAC-SH16K500SR2	1972	760.5	272.5	520	370	299	127	340	168	302
PAC-SH16K500SR3	1997	760.5	272.5	520	370	299	127	340	168	302
PAC-SH16K550SR1	1984	772.5	272.5	575	370	299	127	367	168	302
PAC-SH16K550SR2	1984	772.5	272.5	575	370	299	127	367	168	302
PAC-SH16K550SR3	2009	772.5	272.5	575	370	299	127	367	168	302
PAC-SH16K550SR4	2039	772.5	272.5	575	370	299	127	367	168	302
PAC-SH16K600SR2	1984	772.5	272.5	625	370	299	127	417	168	302
PAC-SH16K600SR3	2009	772.5	272.5	625	370	299	127	417	168	302
PAC-SH16K600SR4	2039	772.5	272.5	625	370	299	127	417	168	302
PAC-SH32K550SR1	2307	905	330	575	460	365	158	367	220	372
PAC-SH32K550SR2	2307	905	330	575	460	365	158	367	220	372
PAC-SH32K550SR3	2492	905	330	575	460	365	158	367	220	372
PAC-SH32K600SR1	2312	910	330	625	460	365	158	417	220	372
PAC-SH32K600SR2	2312	910	330	625	460	365	158	417	220	372
PAC-SH32K600SR3	2497	910	330	625	460	365	158	417	220	372
PAC-SH32K600SR4	2569	910	330	625	460	365	158	417	220	372
PAC-SH32K650SR2	2312	910	330	680	460	365	158	463	220	372
PAC-SH32K650SR3	2497	910	330	680	460	365	158	463	220	372
PAC-SH32K650SR4	2569	910	330	680	460	365	158	463	220	372
PAC-SH32K700SR2	2328	926	330	730	460	365	158	488	220	372
PAC-SH32K700SR3	2513	926	330	730	460	365	158	488	220	372
PAC-SH32K700SR4	2585	926	330	730	460	365	158	488	220	372
PAC-SH32K750SR3	2517	930	330	780	460	365	158	514	220	372
PAC-SH32K750SR4	2589	930	330	780	460	365	158	514	220	372
PAC-SH32K800SR4	2604	945	330	830	460	365	158	560	220	372
PAC-SH63K650SR1	2778	1028	380	680	540	432	192	463	245	405
PAC-SH63K650SR2	2858	1028	380	680	540	432	192	463	245	405
PAC-SH63K700SR1	2785	1035	380	730	540	432	192	488	245	405
PAC-SH63K700SR2	2865	1035	380	730	540	432	192	488	245	405
PAC-SH63K750SR1	2785	1035	380	780	540	432	192	514	245	405
PAC-SH63K750SR2	2865	1035	380	780	540	432	192	514	245	405
PAC-SH63K750SR3	2925	1035	380	780	540	432	192	514	245	405
PAC-SH63K750SR4	3045	1035	380	780	540	432	192	514	245	405
PAC-SH63K800SR1	2795	1045	380	830	540	432	192	560	245	405
PAC-SH63K800SR2	2875	1045	380	830	540	432	192	560	245	405
PAC-SH63K800SR3	2935	1045	380	830	540	432	192	560	245	405

DIMENSIONS

DIMENSIONS SINGLE ACTION

ACTUATOR MODEL	L	L1	L2	D	D1	H	H1	H2	A	B
PAC-SH63K800SR4	3055	1045	380	830	540	432	192	560	245	405
PAC-SH63K850SR1	2800	1050	380	890	540	432	192	587	245	405
PAC-SH63K850SR2	2880	1050	380	890	540	432	192	587	245	405
PAC-SH63K850SR3	2940	1050	380	890	540	432	192	587	245	405
PAC-SH63K850SR4	3060	1050	380	890	540	432	192	587	245	405
PAC-SH125K800SR1	3456	1240	460	830	600	450	201	560	275	500
PAC-SH125K800SR2	3516	1240	460	830	650	450	201	560	275	500
PAC-SH125K850SR1	3456	1240	460	890	600	450	201	587	275	500
PAC-SH125K850SR2	3516	1240	460	890	650	450	201	587	275	500
PAC-SH125K850SR3	3657	1240	460	890	650	450	201	587	275	500
PAC-SH125K900SR1	3466	1250	460	940	600	450	201	640	275	500
PAC-SH125K900SR2	3526	1250	460	940	650	450	201	640	275	500
PAC-SH125K900SR3	3667	1250	460	940	650	450	201	640	275	500
PAC-SH125K1000SR1	3494	1278	460	1045	600	450	201	688	275	500
PAC-SH125K1000SR2	3554	1278	460	1045	650	450	201	688	275	500
PAC-SH125K1000SR3	3695	1278	460	1045	650	450	201	688	275	500
PAC-SH125K700IISR1	4073	1857	460	730	600	450	201	488	275	500
PAC-SH125K700IISR2	4133	1857	460	730	650	450	201	488	275	500
PAC-SH125K700IISR3	4274	1857	460	730	650	450	201	488	275	500
PAC-SH125K750IISR1	4073	1857	460	780	600	450	201	514	275	500
PAC-SH125K750IISR2	4133	1857	460	780	650	450	201	514	275	500
PAC-SH125K750IISR3	4274	1857	460	780	650	450	201	514	275	500

OVERALL DIMENSIONS-SINGLE ACTION + SCREW ROD MANUAL



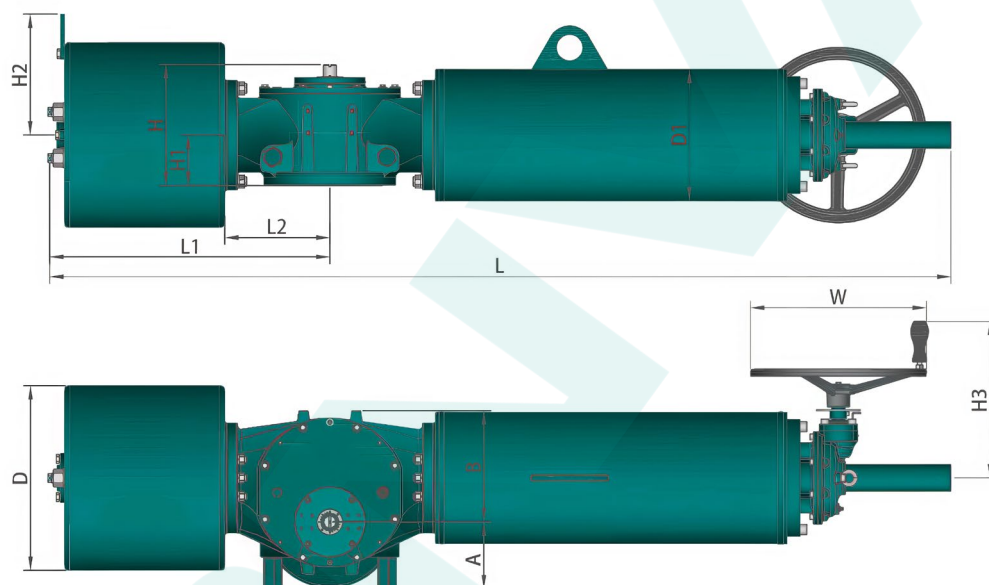
ACTUATOR MODEL	L	L1	L2	D	D1	H	H1	H2	A	B	W
PAC-SH1K180SR1-SD	1101	371	125	194	168	194	75.5	152	108	139	400
PAC-SH1K200SR1-SD	1101	371	125	213	168	194	75.5	160	108	139	400
PAC-SH1K200SR2-SD	1118	372.5	125.5	213	168	195	76.5	162	109	140	400
PAC-SH1K220SR1-SD	1101	371	125	235	168	194	75.5	170	108	139	400
PAC-SH1K220SR2-SD	1116	371	125	235	168	194	75.5	170	108	139	400
PAC-SH1K220SR3-SD	1161	371	125	235	168	194	75.5	170	108	139	400
PAC-SH1K250SR2-SD	1119	374	125	266	168	194	75.5	185	108	139	400
PAC-SH1K250SR3-SD	1164	374	125	266	168	194	75.5	185	108	139	400
PAC-SH1K250SR4-SD	1184	374	125	266	180	194	75.5	185	108	139	400
PAC-SH2K220SR0-SD	1398	423.5	147.5	235	213	203	85	170	108	162	450
PAC-SH2K250SR0-SD	1398	423.5	147.5	266	213	203	85	185	108	162	450
PAC-SH2K250SR1-SD	1418	423.5	147.5	266	213	203	85	185	108	162	450
PAC-SH2K300SR1-SD	1423	428.5	147.5	320	213	203	85	210	108	162	450
PAC-SH2K300SR2-SD	1423	428.5	147.5	320	213	203	85	210	108	162	450
PAC-SH2K300SR3-SD	1478	428.5	147.5	320	213	203	85	210	108	162	450
PAC-SH2K300SR4-SD	1540	428.5	147.5	320	213	203	85	210	108	162	450
PAC-SH2K320SR1-SD	1423	428.5	147.5	340	213	203	85	220	108	162	450
PAC-SH2K320SR2-SD	1423	428.5	147.5	340	213	203	85	220	108	162	450
PAC-SH2K320SR3-SD	1478	428.5	147.5	340	213	203	85	220	108	162	450
PAC-SH2K320SR4-SD	1540	428.5	147.5	340	213	203	85	220	108	162	450

DIMENSIONS

OVERALL DIMENSIONS-SINGLE ACTION + SCREW ROD MANUAL

ACTUATOR MODEL	L	L1	L2	D	D1	H	H1	H2	A	B	W
PAC-SH2K350SR1-SD	1428	433.5	147.5	370	213	203	85	248	108	162	450
PAC-SH2K350SR2-SD	1428	433.5	147.5	370	213	203	85	248	108	162	450
PAC-SH2K350SR3-SD	1483	433.5	147.5	370	213	203	85	248	108	162	450
PAC-SH2K350SR4-SD	1545	433.5	147.5	370	213	203	85	248	108	162	450
PAC-SH4K300SR1-SD	1693	526	190	320	235	245	100	210	125	200	500
PAC-SH4K300SR2-SD	1748	526	190	320	235	245	100	210	125	200	500
PAC-SH4K350SR1-SD	1698	531	190	370	235	245	100	248	125	200	500
PAC-SH4K350SR2-SD	1753	531	190	370	235	245	100	248	125	200	500
PAC-SH4K350SR3-SD	1771	531	190	370	235	245	100	248	125	200	500
PAC-SH4K350SR4-SD	1771	531	190	370	235	245	100	248	125	200	500
PAC-SH4K400SR1-SD	1708	541	190	420	235	245	100	275	125	200	500
PAC-SH4K400SR2-SD	1763	541	190	420	235	245	100	275	125	200	500
PAC-SH4K400SR3-SD	1781	541	190	420	235	245	100	275	125	200	500
PAC-SH4K400SR4-SD	1781	541	190	420	235	245	100	275	125	200	500

DIMENSIONS-SINGLE ACTION + GEAR MANUAL



ACTUATOR MODEL	L	L1	L2	D	D1	H	H1	H2	H3	A	B	W
PAC-SH2K220SR0-GD	1462	423.5	147.5	235	213	203	85	170	310	108	162	400
PAC-SH2K250SR0-GD	1462	423.5	147.5	266	213	203	85	185	310	108	162	400
PAC-SH2K250SR1 -GD	1482	423.5	147.5	266	213	203	85	185	310	108	162	400
PAC-SH2K300SR1-GD	1487	428.5	147.5	320	213	203	85	210	310	108	162	400
PAC-SH2K300SR2-GD	1487	428.5	147.5	320	213	203	85	210	310	108	162	400
PAC-SH2K300SR3-GD	1542	428.5	147.5	320	213	203	85	210	310	108	162	400
PAC-SH2K300SR4-GD	1604	428.5	147.5	320	213	203	85	210	310	108	162	400
PAC-SH2K320SR1-GD	1487	428.5	147.5	340	213	203	85	220	310	108	162	400
PAC-SH2K320SR2-GD	1487	428.5	147.5	340	213	203	85	220	310	108	162	400
PAC-SH2K320SR3-GD	1542	428.5	147.5	340	213	203	85	220	310	108	162	400
PAC-SH2K320SR4-GD	1604	428.5	147.5	340	213	203	85	220	310	108	162	400
PAC-SH2K350SR1-GD	1492	433.5	147.5	370	213	203	85	248	310	108	162	400
PAC-SH2K350SR2-GD	1492	433.5	147.5	370	213	203	85	248	310	108	162	400
PAC-SH2K350SR3-GD	1547	433.5	147.5	370	213	203	85	248	310	108	162	400
PAC-SH2K350SR4-GD	1609	433.5	147.5	370	213	203	85	248	310	108	162	400
PAC-SH4K300SR1-GD	1693	526	190	320	235	245	100	210	330	125	200	400
PAC-SH4K300SR2-GD	1748	526	190	320	235	245	100	210	330	125	200	400
PAC-SH4K350SR1-GD	1698	531	190	370	235	245	100	248	330	125	200	400
PAC-SH4K350SR2-GD	1753	531	190	370	235	245	100	248	330	125	200	400
PAC-SH4K350SR3-GD	1771	531	190	370	235	245	100	248	330	125	200	450
PAC-SH4K350SR4-GD	1771	531	190	370	235	245	100	248	330	125	200	450

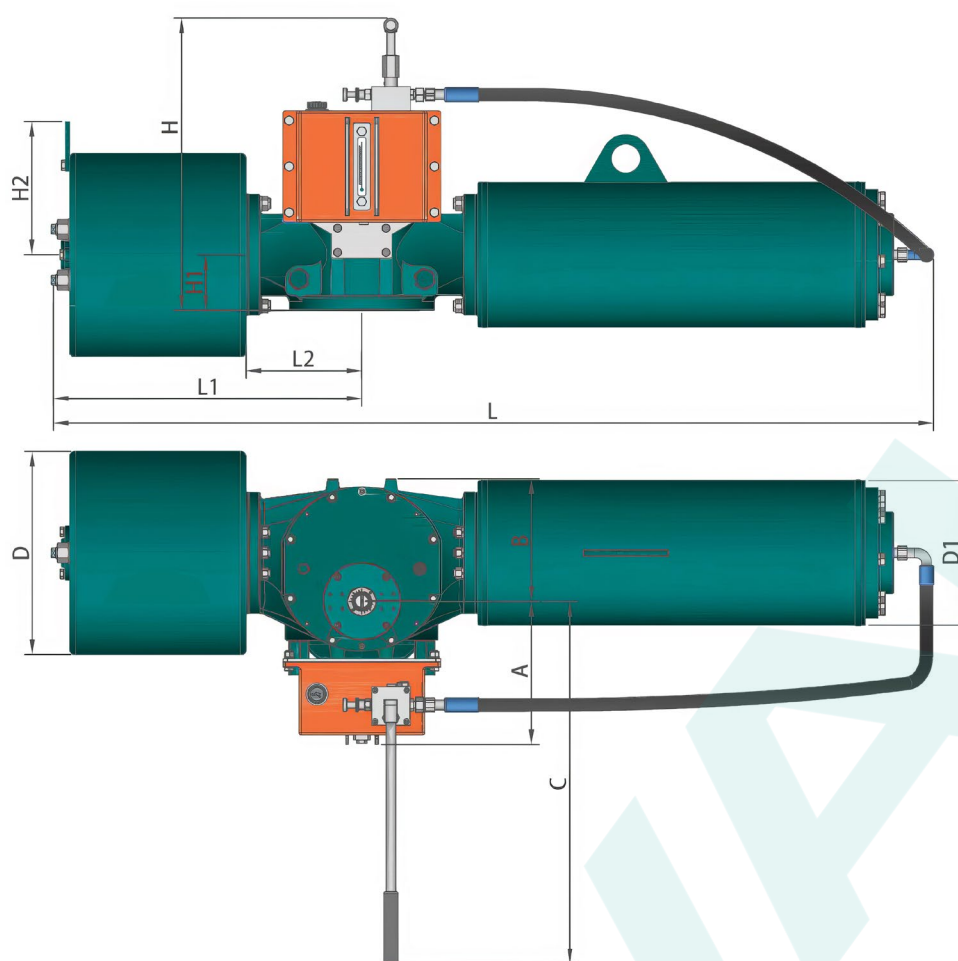
DIMENSIONS

DIMENSIONS-SINGLE ACTION + GEAR MANUAL

ACTUATOR MODEL	L	L1	L2	D	D1	H	H1	H2	H3	A	B	W
PAC-SH4K400SR1 -GD	1708	541	190	420	235	245	100	275	330	125	200	400
PAC-SH4K400SR2-GD	1763	541	190	420	235	245	100	275	330	125	200	400
PAC-SH4K400SR3-GD	1781	541	190	420	235	245	100	275	330	125	200	450
PAC-SH4K400SR4-GD	1781	541	190	420	235	245	100	275	330	125	200	450
PAC-SH8K350SR1 -GD	2000	636	235	370	299	275	115	248	360	145	247	450
PAC-SH8K350SR2-GD	2050	636	235	370	299	275	115	248	360	145	247	450
PAC-SH8K400SR1-GD	2004	640	235	420	299	275	115	275	360	146	247	450
PAC-SH8K400SR2-GD	2054	640	235	420	299	275	115	275	360	146	247	450
PAC-SH8K400SR3-GD	2054	640	235	420	299	275	115	275	360	146	247	450
PAC-SH8K400SR4-GD	2097	640	235	420	299	275	115	275	360	146	247	450
PAC-SH8K450SR1 -GD	2014	650	235	470	299	275	115	315	360	148	247	450
PAC-SH8K450SR2-GD	2064	650	235	470	299	275	115	315	360	148	247	450
PAC-SH8K450SR3-GD	2064	650	235	470	299	275	115	315	360	148	247	450
PAC-SH8K450SR4-GD	2107	650	235	470	299	275	115	315	360	148	247	450
PAC-SH8K500SR1-GD	2017	653	235	520	299	275	115	335	360	148	247	450
PAC-SH8K500SR2-GD	2067	653	235	520	299	275	115	335	360	148	247	450
PAC-SH8K500SR3-GD	2067	653	235	520	299	275	115	335	360	148	247	450
PAC-SH8K500SR4-GD	2110	653	235	520	299	275	115	335	360	148	247	450
PAC-SH16K450SR1-GD	2407	757.5	272.5	470	370	299	127	315	385	168	302	500
PAC-SH1 6K450SR2-GD	2407	757.5	272.5	470	370	299	127	315	385	168	302	500
PAC-SH16K500SR1-GD	2410	760.5	272.5	520	370	299	127	340	385	168	302	500
PAC-SH16K500SR2-GD	2410	760.5	272.5	520	370	299	127	340	385	168	302	500
PAC-SH16K500SR3-GD	2435	760.5	272.5	520	370	299	127	340	385	168	302	500
PAC-SH16K550SR1-GD	2422	772.5	272.5	575	370	299	127	367	385	168	302	500
PAC-SH16K550SR2-GD	2422	772.5	272.5	575	370	299	127	367	385	168	302	500
PAC-SH16K550SR3-GD	2447	772.5	272.5	575	370	299	127	367	385	168	302	500
PAC-SH16K550SR4-GD	2477	772.5	272.5	575	370	299	127	367	385	168	302	500
PAC-SH16K600SR2-GD	2422	772.5	272.5	625	370	299	127	417	385	168	302	500
PAC-SH16K600SR3-GD	2447	772.5	272.5	625	370	299	127	417	385	168	302	500
PAC-SH16K600SR4-GD	2477	772.5	272.5	625	370	299	127	417	385	168	302	500
PAC-SH32K550SR1-GD	2835	905	330	575	460	365	158	367	475	220	372	500
PAC-SH32K550SR2-GD	2835	905	330	575	460	365	158	367	475	220	372	500
PAC-SH32K550SR3-GD	3020	905	330	575	460	365	158	367	475	220	372	500
PAC-SH32K600SR1-GD	2840	910	330	625	460	365	158	417	475	220	372	500
PAC-SH32K600SR2-GD	2840	910	330	625	460	365	158	417	475	220	372	500
PAC-SH32K600SR3-GD	3025	910	330	625	460	365	158	417	475	220	372	500
PAC-SH32K600SR4-GD	3097	910	330	625	460	365	158	417	475	220	372	500
PAC-SH32K650SR2-GD	2840	910	330	680	460	365	158	463	475	220	372	500
PAC-SH32K650SR3-GD	3025	910	330	680	460	365	158	463	475	220	372	500
PAC-SH32K650SR4-GD	3097	910	330	680	460	365	158	463	475	220	372	500
PAC-SH32K700SR2-GD	2856	926	330	730	460	365	158	488	475	220	372	500
PAC-SH32K700SR3-GD	3041	926	330	730	460	365	158	488	475	220	372	500
PAC-SH32K700SR4-GD	3113	926	330	730	460	365	158	488	475	220	372	500
PAC-SH32K750SR3-GD	3045	930	330	780	460	365	158	514	475	220	372	500
PAC-SH32K750SR4-GD	3117	930	330	780	460	365	158	514	475	220	372	500
PAC-SH32K800SR4-GD	3132	945	330	830	460	365	158	560	475	220	372	500

DIMENSIONS

DIMENSIONS-SINGLE ACTION + HYDRAULIC MANUAL



ACTUATOR MODEL	L	L1	L2	D	D1	H	H1	H2	A	B	C
PAC-SH1K180SR1-GH	980	371	125	194	168	550	75.5	152	241	139	700
PAC-SH1K200SR1-GH	980	371	125	213	168	550	75.5	160	241	139	700
PAC-SH1K200SR2-GH	997	372.5	125.5	213	168	550	76.5	162	241	140	700
PAC-SH1K220SR1-GH	980	371	125	235	168	550	75.5	170	241	139	700
PAC-SH1K220SR2-GH	995	371	125	235	168	550	75.5	170	241	139	700
PAC-SH1K220SR3-GH	1040	371	125	235	168	550	75.5	170	241	139	700
PAC-SH1K250SR2-GH	998	374	125	266	168	550	75.5	185	241	139	700
PAC-SH1K250SR3-GH	1043	374	125	266	168	550	75.5	185	241	139	700
PAC-SH1K250SR4-GH	1063	374	125	266	180	550	75.5	185	241	139	700
PAC-SH2K220SR0-GH	1233	423.5	147.5	235	213	560	85	170	252	162	710
PAC-SH2K250SR0-GH	1233	423.5	147.5	266	213	560	85	185	252	162	710
PAC-SH2K250SR1-GH	1253	423.5	147.5	266	213	560	85	185	252	162	710
PAC-SH2K300SR1-GH	1258	428.5	147.5	320	213	560	85	210	252	162	710
PAC-SH2K300SR2-GH	1258	428.5	147.5	320	213	560	85	210	252	162	710
PAC-SH2K300SR3-GH	1313	428.5	147.5	320	213	560	85	210	252	162	710
PAC-SH2K300SR4-GH	1375	428.5	147.5	320	213	560	85	210	252	162	710
PAC-SH2K320SR1-GH	1258	428.5	147.5	340	213	560	85	220	252	162	710
PAC-SH2K320SR2-GH	1258	428.5	147.5	340	213	560	85	220	252	162	710
PAC-SH2K320SR3-GH	1313	428.5	147.5	340	213	560	85	220	252	162	710
PAC-SH2K320SR4-GH	1375	428.5	147.5	340	213	560	85	220	252	162	710
PAC-SH2K350SR1-GH	1263	433.5	147.5	370	213	560	85	248	252	162	710
PAC-SH2K350SR2-GH	1263	433.5	147.5	370	213	560	85	248	252	162	710
PAC-SH2K350SR3-GH	1318	433.5	147.5	370	213	560	85	248	252	162	710
PAC-SH2K350SR4-GH	1380	433.5	147.5	370	213	560	85	248	252	162	710
PAC-SH4K300SR1-GH	1493	526	190	320	235	570	100	210	270	200	730
PAC-SH4K300SR2-GH	1548	526	190	320	235	570	100	210	270	200	730
PAC-SH4K350SR1-GH	1498	531	190	370	235	570	100	248	270	200	730
PAC-SH4K350SR2-GH	1553	531	190	370	235	570	100	248	270	200	730
PAC-SH4K350SR3-GH	1571	531	190	370	235	570	100	248	270	200	730
PAC-SH4K350SR4-GH	1571	531	190	370	235	570	100	248	270	200	730
PAC-SH4K400SR1-GH	1508	541	190	420	235	570	100	275	270	200	730
PAC-SH4K400SR2-GH	1563	541	190	420	235	570	100	275	270	200	730

DIMENSIONS

DIMENSIONS-SINGLE ACTION + HYDRAULIC MANUAL

ACTUATOR MODEL	L	L1	L2	D	D1	H	H1	H2	A	B	C
PAC-SH4K400SR3-GH	1581	541	190	420	235	570	100	275	270	200	730
PAC-SH4K400SR4-GH	1581	541	190	420	235	570	100	275	270	200	730
PAC-SH8K350SR1-GH	1765	636	235	370	299	600	115	248	340	247	800
PAC-SH8K350SR2-GH	1815	636	235	370	299	600	115	248	340	247	800
PAC-SH8K400SR1-GH	1769	640	235	420	299	600	115	275	340	247	800
PAC-SH8K400SR2-GH	1819	640	235	420	299	600	115	275	340	247	800
PAC-SH8K400SR3-GH	1819	640	235	420	299	600	115	275	340	247	800
PAC-SH8K400SR4-GH	1862	640	235	420	299	600	115	275	340	247	800
PAC-SH8K450SR1-GH	1779	650	235	470	299	600	115	315	340	247	800
PAC-SH8K450SR2-GH	1829	650	235	470	299	600	115	315	340	247	800
PAC-SH8K450SR3-GH	1829	650	235	470	299	600	115	315	340	247	800
PAC-SH8K450SR4-GH	1872	650	235	470	299	600	115	315	340	247	800
PAC-SH8K500SR1-GH	1782	653	235	520	299	600	115	335	340	247	800
PAC-SH8K500SR2-GH	1832	653	235	520	299	600	115	335	340	247	800
PAC-SH8K500SR3-GH	1832	653	235	520	299	600	115	335	340	247	800
PAC-SH8K500SR4-GH	1875	653	235	520	299	600	115	335	340	247	800
PAC-SH16K450SR1-GH	2087	757.5	272.5	470	370	650	127	315	415	302	870
PAC-SH16K450SR2-GH	2087	757.5	272.5	470	370	650	127	315	415	302	870
PAC-SH16K500SR1-GH	2090	760.5	272.5	520	370	650	127	340	415	302	870
PAC-SH16K500SR2-GH	2090	760.5	272.5	520	370	650	127	340	415	302	870
PAC-SH16K500SR3-GH	2115	760.5	272.5	520	370	650	127	340	415	302	870
PAC-SH16K550SR1-GH	2102	772.5	272.5	575	370	650	127	367	415	302	870
PAC-SH16K550SR2-GH	2102	772.5	272.5	575	370	650	127	367	415	302	870
PAC-SH16K550SR3-GH	2127	772.5	272.5	575	370	650	127	367	415	302	870
PAC-SH16K550SR4-GH	2157	772.5	272.5	575	370	650	127	367	415	302	870
PAC-SH16K600SR2-GH	2102	772.5	272.5	625	370	650	127	417	415	302	870
PAC-SH16K600SR3-GH	2127	772.5	272.5	625	370	650	127	417	415	302	870
PAC-SH16K600SR4-GH	2157	772.5	272.5	625	370	650	127	417	415	302	870
PAC-SH32K550SR1-GH	2460	905	330	575	460	730	158	367	495	372	950
PAC-SH32K550SR2-GH	2460	905	330	575	460	730	158	367	495	372	950
PAC-SH32K550SR3-GH	2645	905	330	575	460	730	158	367	495	372	950
PAC-SH32K600SR1-GH	2465	910	330	625	460	730	158	417	495	372	950
PAC-SH32K600SR2-GH	2465	910	330	625	460	730	158	417	495	372	950
PAC-SH32K600SR3-GH	2650	910	330	625	460	730	158	417	495	372	950
PAC-SH32K600SR4-GH	2722	910	330	625	460	730	158	417	495	372	950
PAC-SH32K650SR2-GH	2465	910	330	680	460	730	158	463	495	372	950
PAC-SH32K650SR3-GH	2650	910	330	680	460	730	158	463	495	372	950
PAC-SH32K650SR4-GH	2722	910	330	680	460	730	158	463	495	372	950
PAC-SH32K700SR2-GH	2481	926	330	730	460	730	158	488	495	372	950
PAC-SH32K700SR3-GH	2666	926	330	730	460	730	158	488	495	372	950
PAC-SH32K700SR4-GH	2738	926	330	730	460	730	158	488	495	372	950
PAC-SH32K750SR3-GH	2670	930	330	780	460	730	158	514	495	372	950
PAC-SH32K750SR4-GH	2742	930	330	780	460	730	158	514	495	372	950
PAC-SH32K800SR4-GH	2757	945	330	830	460	730	158	560	495	372	950
PAC-SH63K650SR1-GH	2886	1028	380	680	540	810	192	463	540	405	1000
PAC-SH63K650SR2-GH	2966	1028	380	680	540	810	192	463	540	405	1000
PAC-SH63K700SR1-GH	2893	1035	380	730	540	810	192	488	540	405	1000
PAC-SH63K700SR2-GH	2973	1035	380	730	540	810	192	488	540	405	1000
PAC-SH63K750SR1-GH	2893	1035	380	780	540	810	192	514	540	405	1000
PAC-SH63K750SR2-GH	2973	1035	380	780	540	810	192	514	540	405	1000
PAC-SH63K750SR3-GH	3033	1035	380	780	540	810	192	514	540	405	1000

DIMENSIONS

DIMENSIONS-SINGLE ACTION + HYDRAULIC MANUAL											
ACTUATOR MODEL	L	L1	L2	D	D1	H	H1	H2	A	B	C
PAC-SH63K750SR4-GH	3153	1035	380	780	540	810	192	514	540	405	1000
PAC-SH63K800SR1 -GH	2903	1045	380	830	540	810	192	560	540	405	1000
PAC-SH63K800SR2-GH	2983	1045	380	830	540	810	192	560	540	405	1000
PAC-SH63K800SR3-GH	3043	1045	380	830	540	810	192	560	540	405	1000
PAC-SH63K800SR4-GH	3163	1045	380	830	540	810	192	560	540	405	1000
PAC-SH63K850SR1 -GH	2908	1050	380	890	540	810	192	587	540	405	1000
PAC-SH63K850SR2-GH	2988	1050	380	890	540	810	192	587	540	405	1000
PAC-SH63K850SR3-GH	3048	1050	380	890	540	810	192	587	540	405	1000
PAC-SH63K850SR4-GH	3168	1050	380	890	540	810	192	587	540	405	1000
PAC-SH125K800SR1-GH	3584	1240	460	830	600	880	201	560	540	500	1100
PAC-SH125K800SR2-GH	3644	1240	460	830	650	880	201	560	540	500	1100
PAC-SH125K850SR1-GH	3584	1240	460	890	600	880	201	587	540	500	1100
PAC-SH125K850SR2-GH	3644	1240	460	890	650	880	201	587	540	500	1100
PAC-SH125K850SR3-GH	3785	1240	460	890	650	880	201	587	540	500	1100
PAC-SH125K900SR1-GH	3594	1250	460	940	600	880	201	640	540	500	1100
PAC-SH125K900SR2-GH	3654	1250	460	940	650	880	201	640	540	500	1100
PAC-SH125K900SR3-GH	3795	1250	460	940	650	880	201	640	540	500	1100
PAC-SH125K1000SR1-GH	3622	1278	460	1045	600	880	201	688	540	500	1100
PAC-SH125K1000SR2-GH	3682	1278	460	1045	650	880	201	688	540	500	1100
PAC-SH125K1000SR3-GH	3823	1278	460	1045	650	880	201	688	540	500	1100
PAC-SH125K700ISR1-GH	4201	1857	460	730	600	880	201	488	540	500	1100
PAC-SH125K700ISR2-GH	4261	1857	460	730	650	880	201	488	540	500	1100
PAC-SH125K700ISR3-GH	4402	1857	460	730	650	880	201	488	540	500	1100
PAC-SH125K750ISR1-GH	4201	1857	460	780	600	880	201	514	540	500	1100
PAC-SH125K750ISR2-GH	4261	1857	460	780	650	880	201	514	540	500	1100
PAC-SH125K750ISR3-GH	4402	1857	460	780	650	880	201	514	540	500	1100